

Broil King®



Broil King

PORTA-CHEF 320

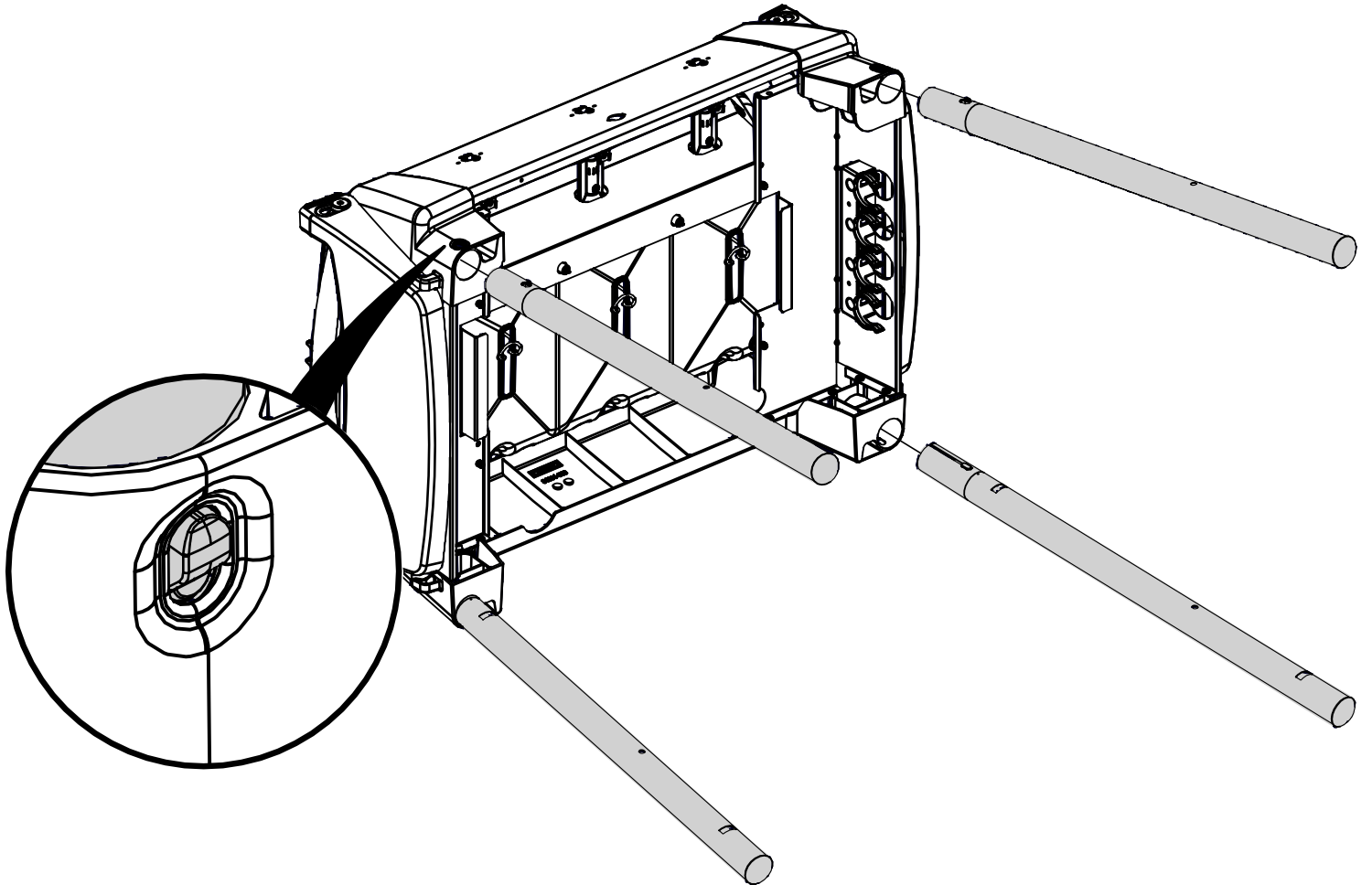
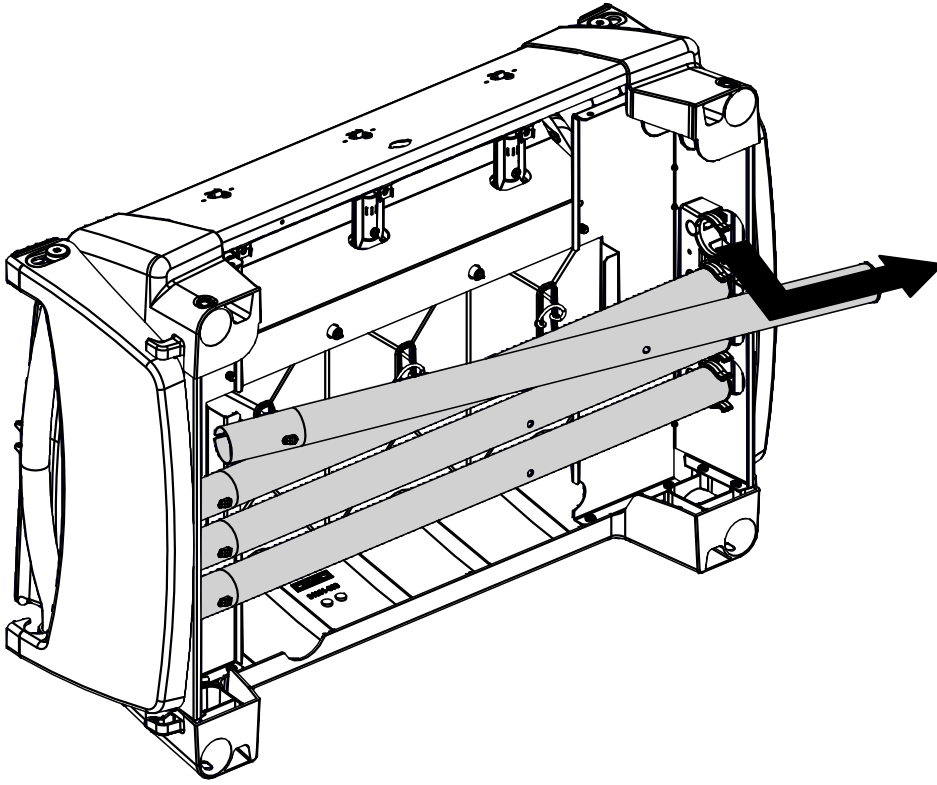
9526-52

9526-53

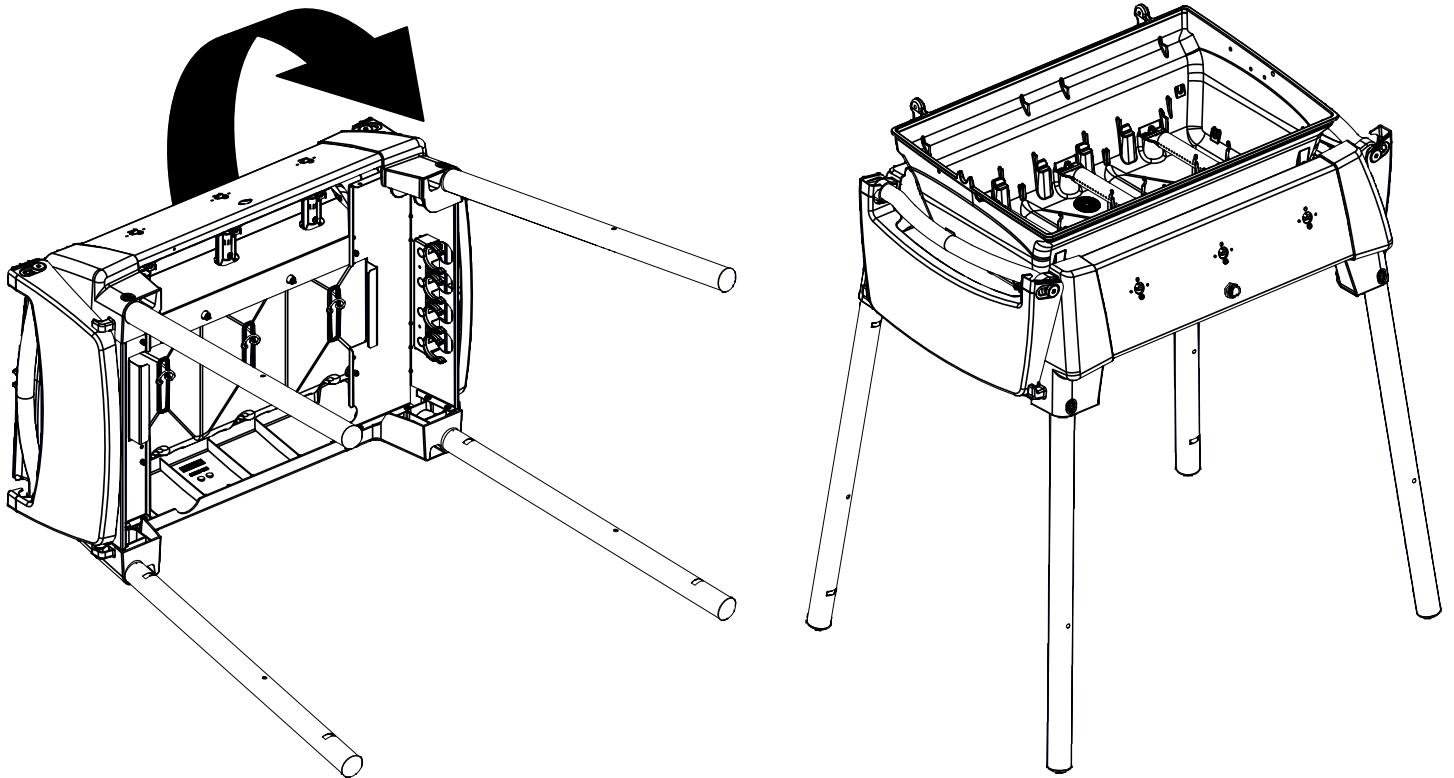
Onward
SINCE 1906
MANUFACTURING COMPANY
585 KUMPF DRIVE LIMITED
WATERLOO, ONTARIO, CANADA
N2V 1K3

10084-E25EU REV D 02/18



1

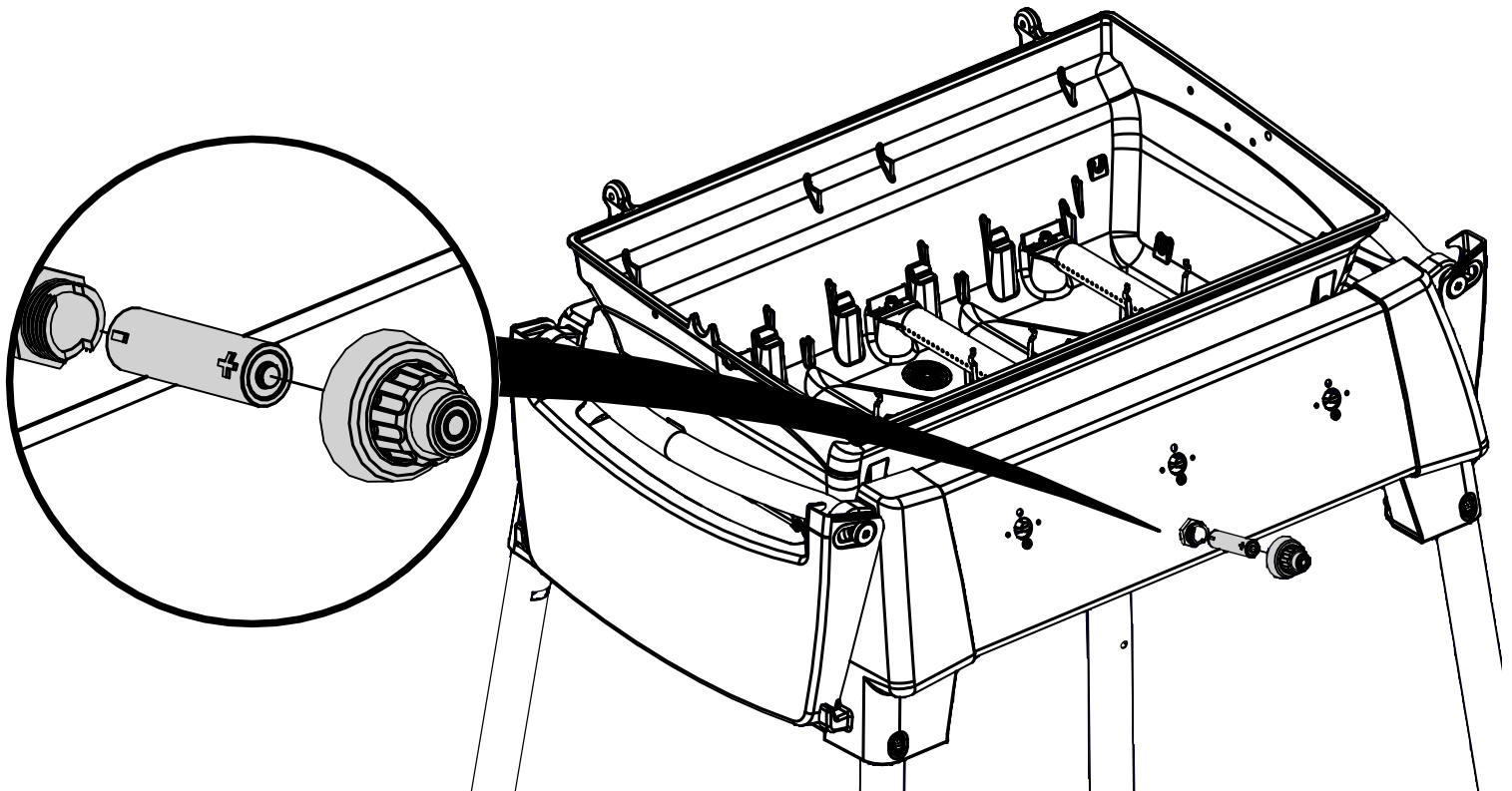


2

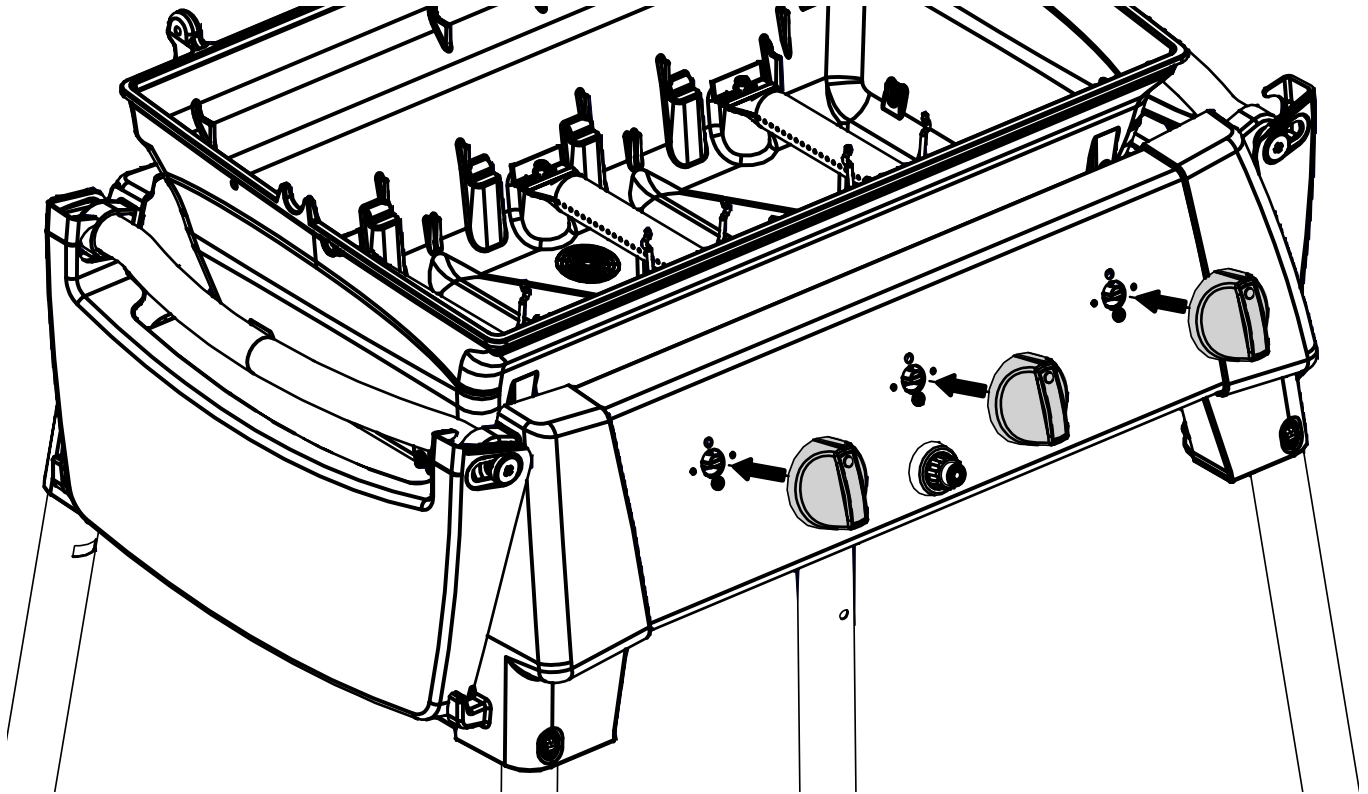


3

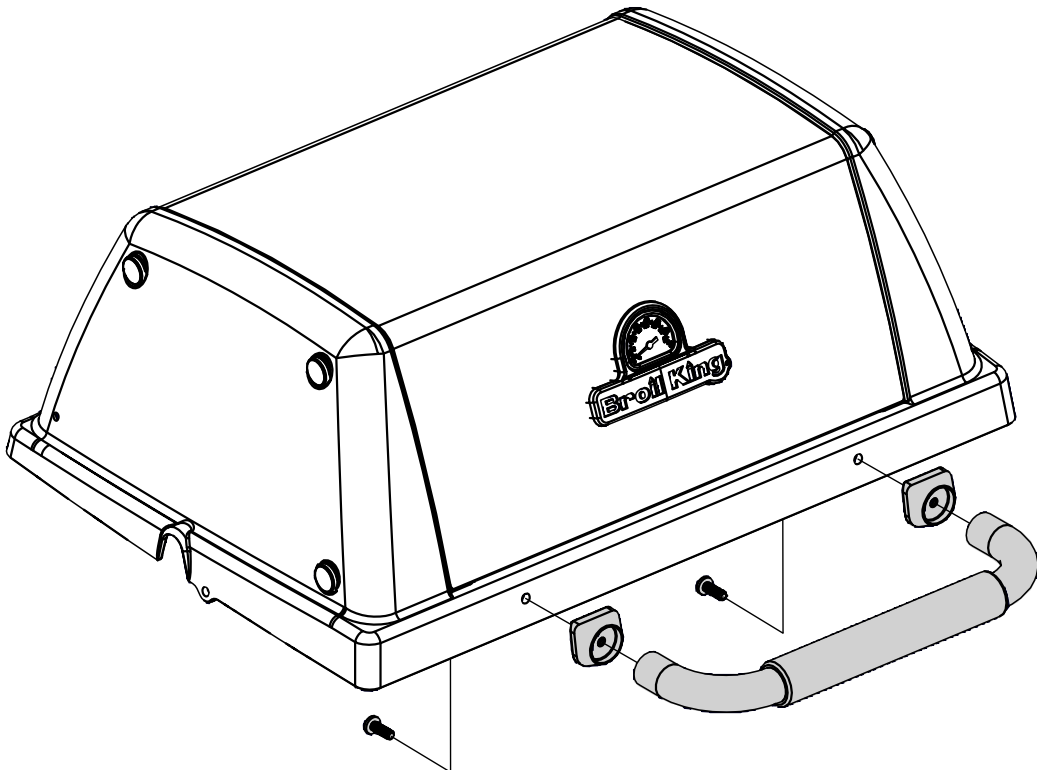
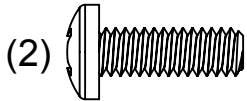
(1)  AAA 



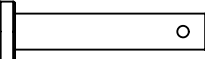

4

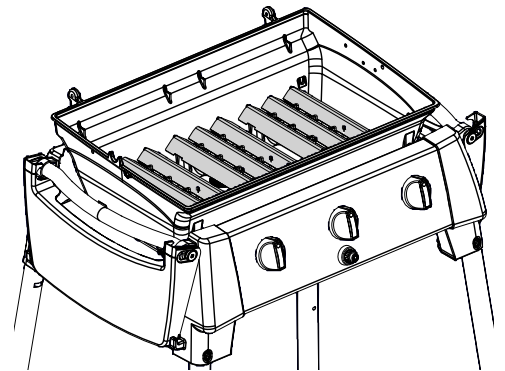
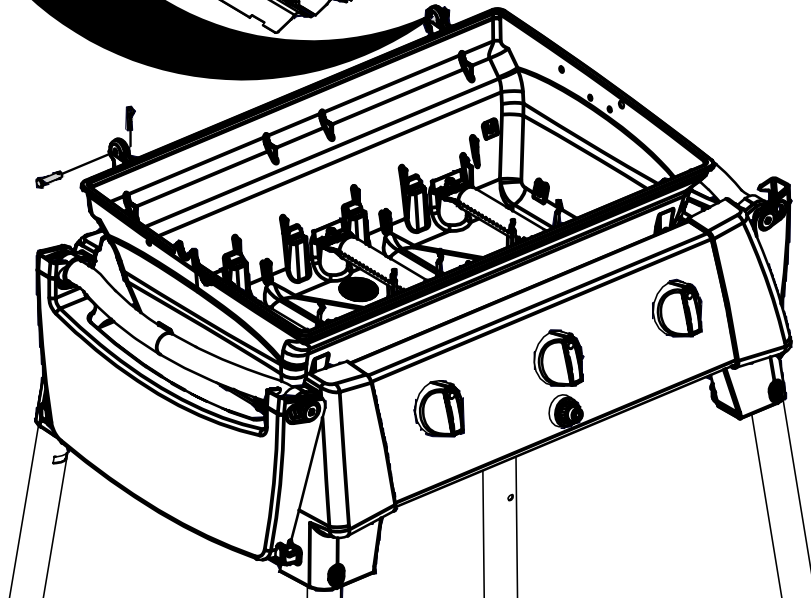
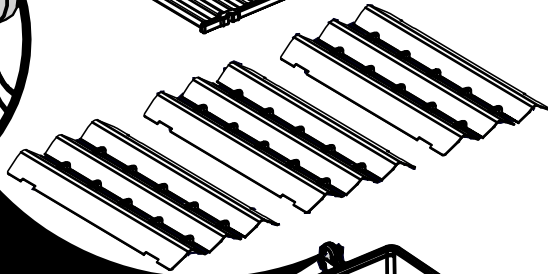
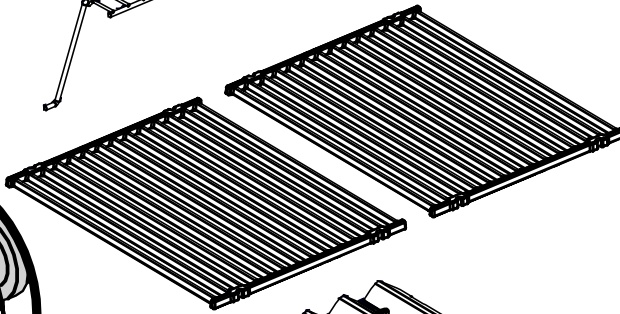
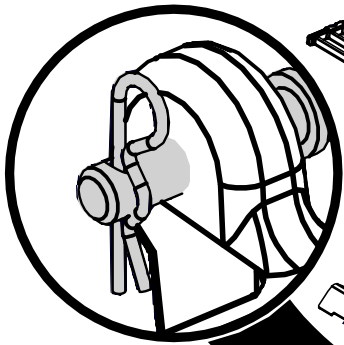
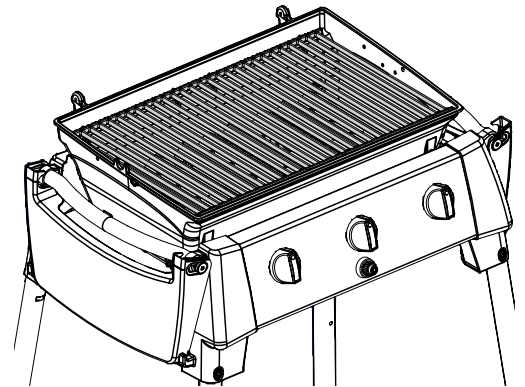
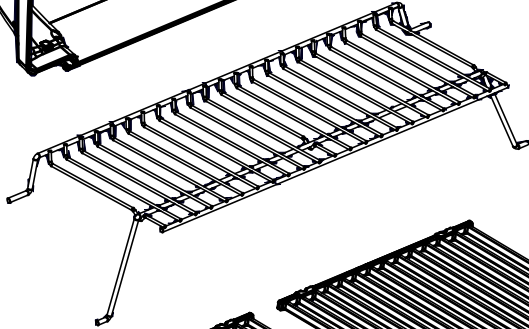
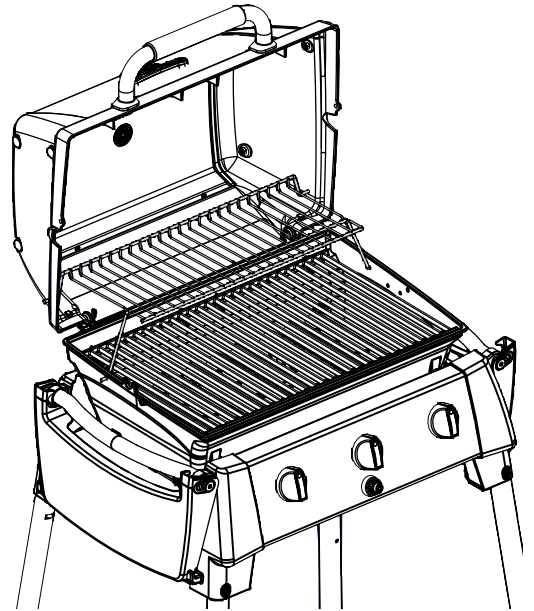
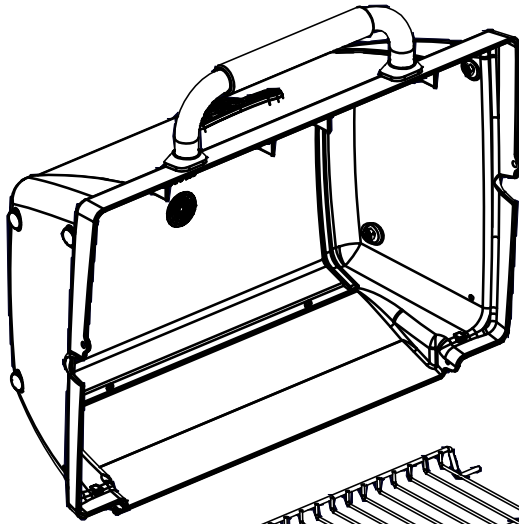


5

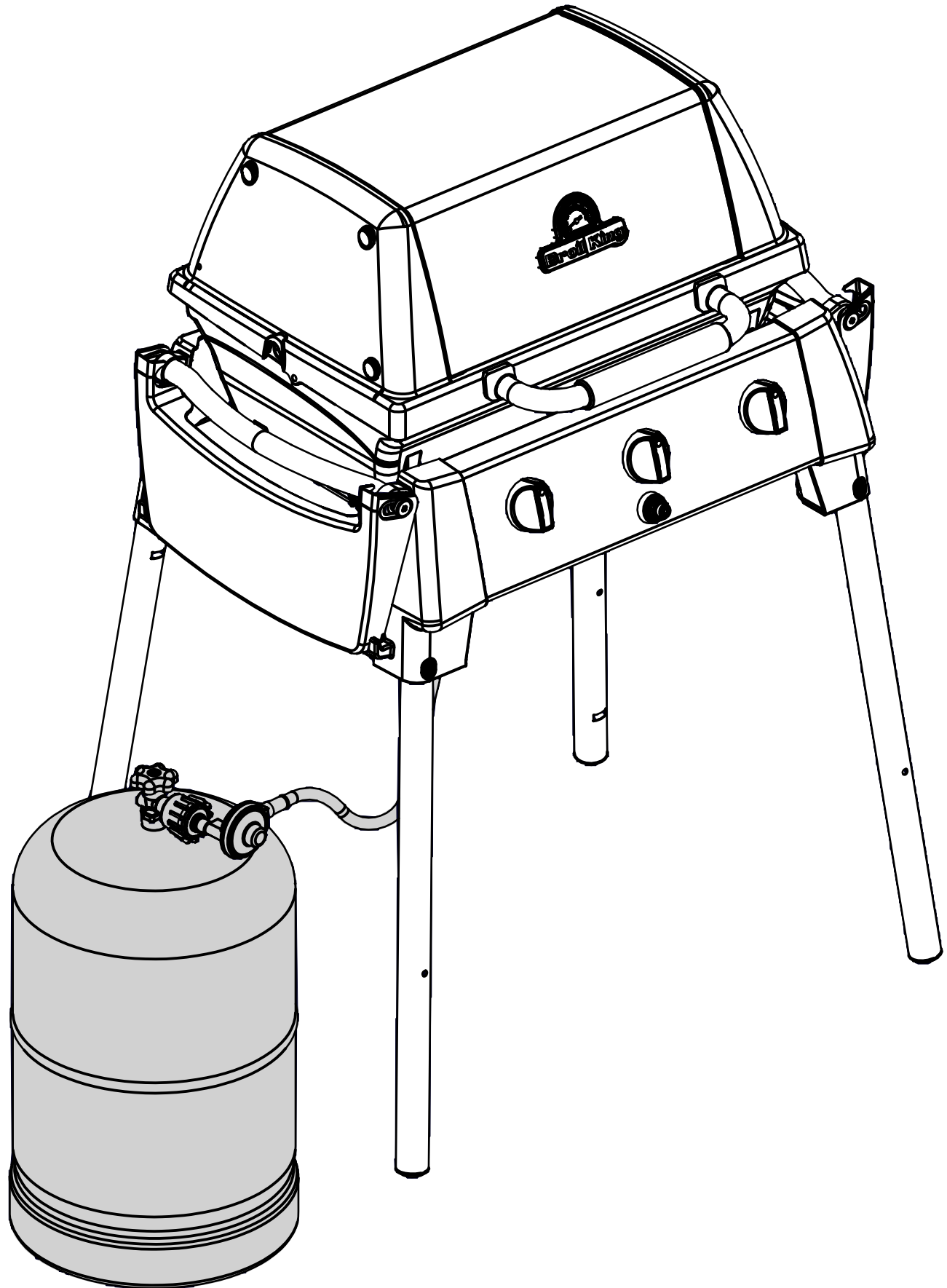


6

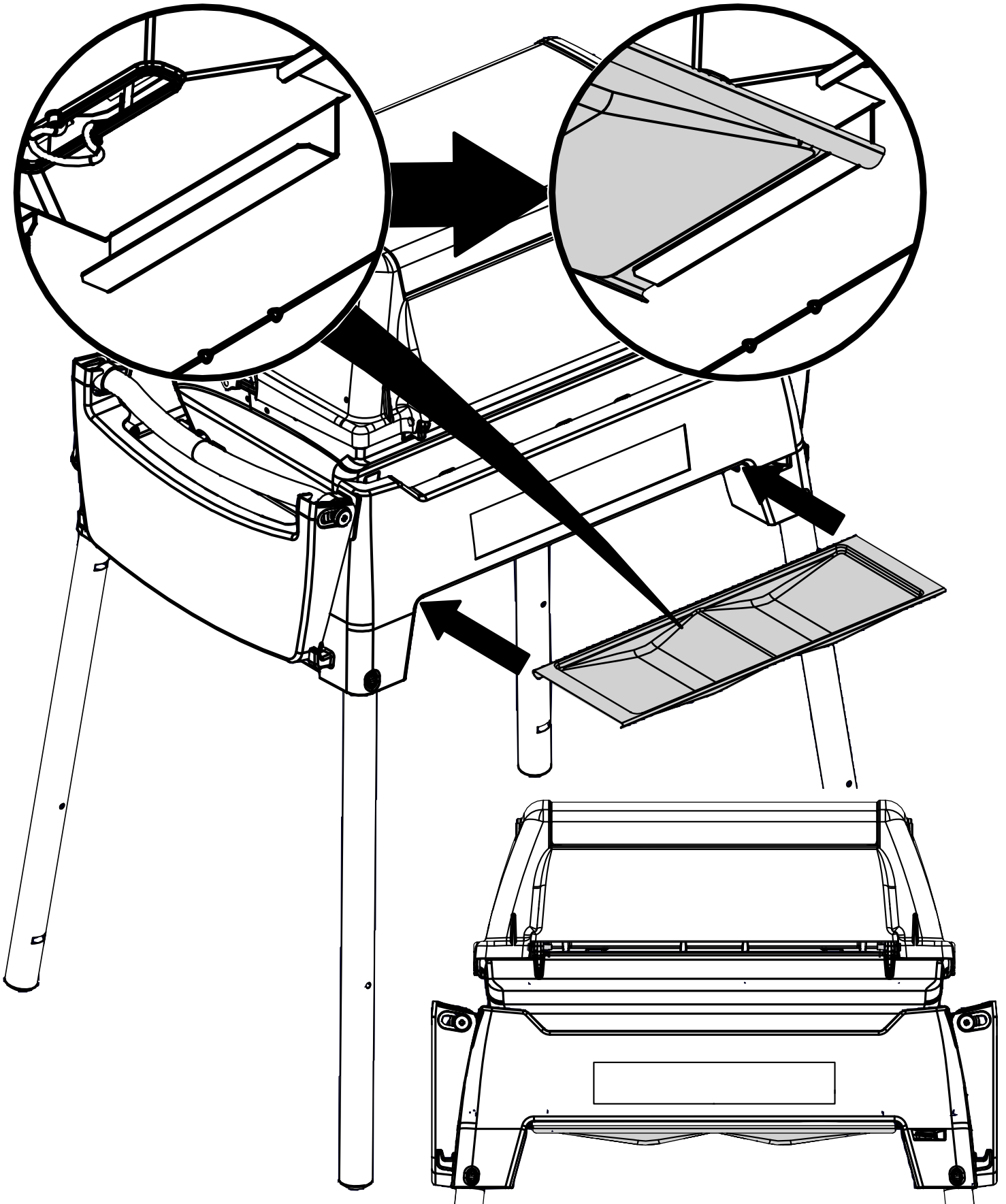
(2)  (2) 



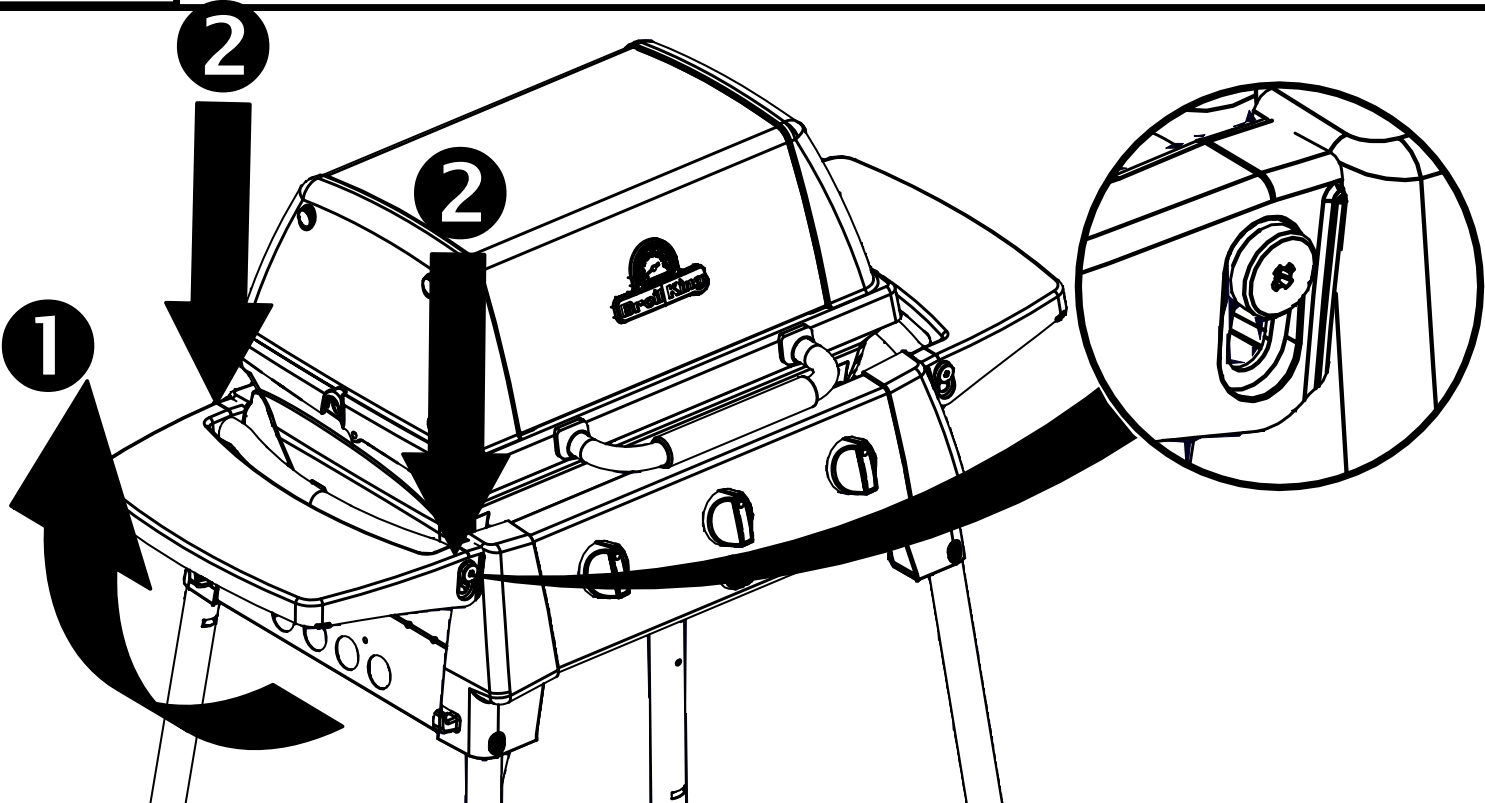
7



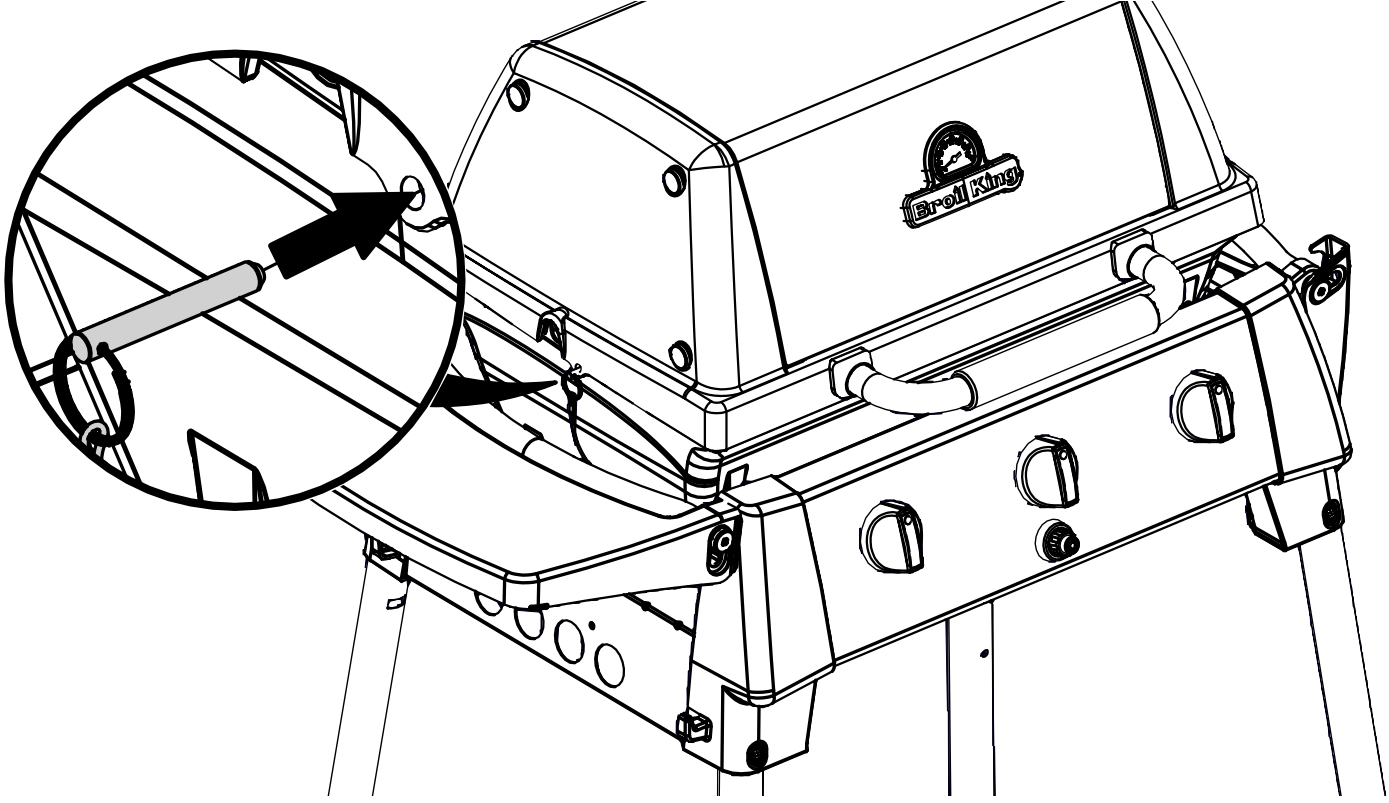
8



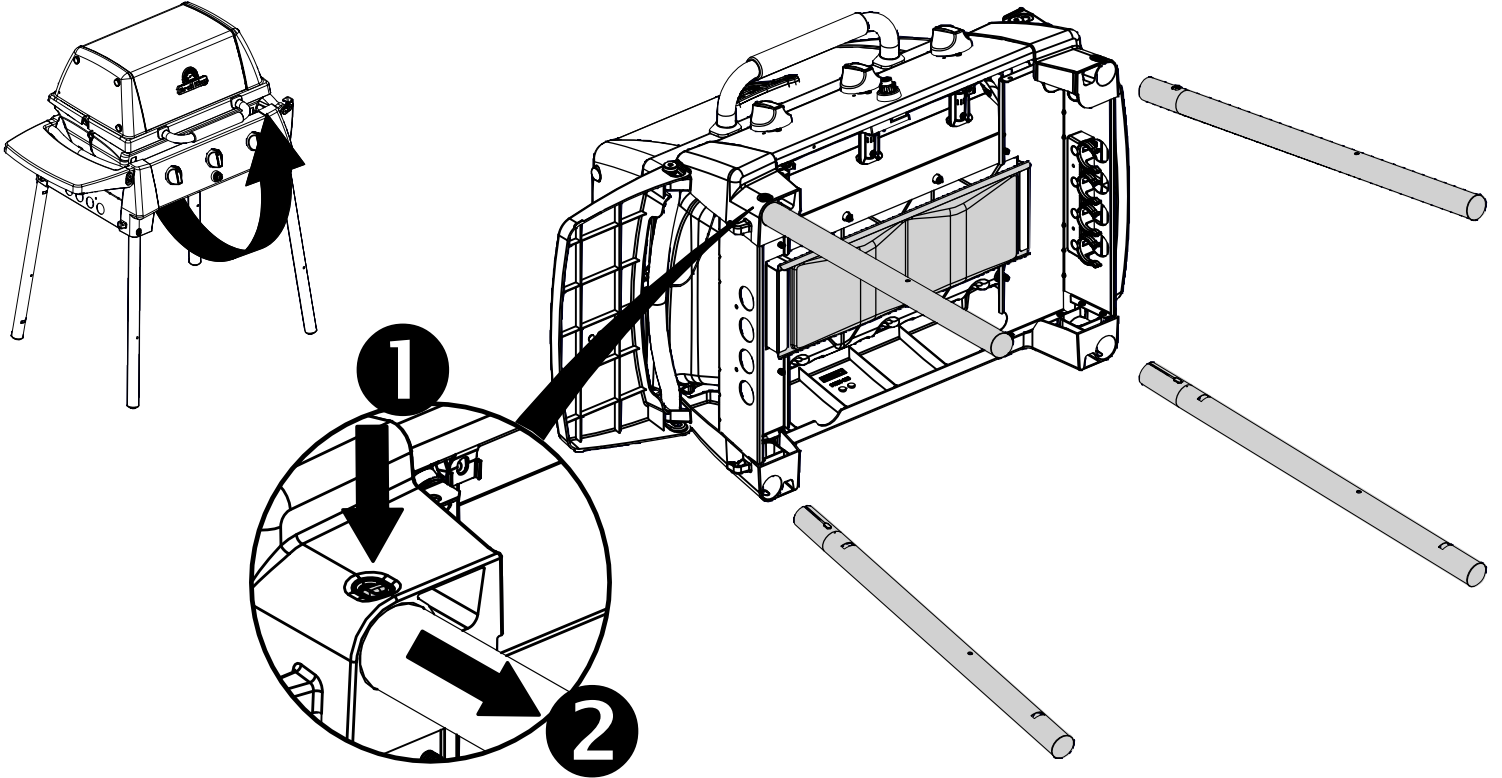
9



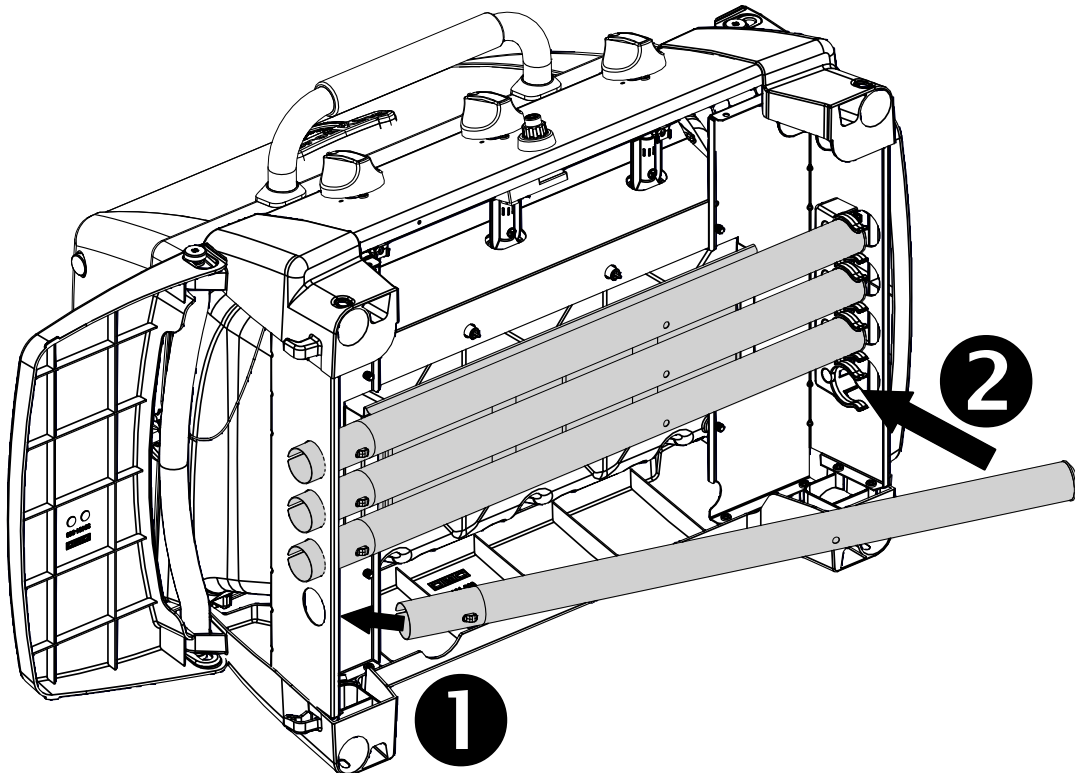
10



11



12



PARTS LIST

| <u>KEY #</u> | <u>ITEM #</u> | <u>DESCRIPTION</u> | <u>9526-52</u> | <u>9526-53</u> |
|--------------|---------------|--------------------|----------------|----------------|
| 1 | 10909-E33 | CASTING BOTTOM | 1 | 1 |
| 2 | 10473-E33 | CASTING TOP | 1 | 1 |
| 3 | 10081-BK530 | NAMEPLATE | 1 | 1 |
| 4 | 10958-E334A | TOP CASTING INSERT | 1 | 1 |
| 5 | 10571-5 | HEAT INDICATOR | 1 | 1 |
| 6 | 32300112 | HINGE PIN | 2 | 2 |
| 7 | Y-11544 | SCREW - BURNER | 3 | 3 |
| 8 | S21242 | HITCH PIN CLIP | 3 | 3 |
| 9 | 10225-T205 | GRID | 2 | 2 |
| 10 | 10222-E304 | FLAV-R-WAVE™ | 3 | 3 |
| 11 | 10225-E330 | WARMING RACK | 1 | 1 |
| 12 | 10184-E17 | WIRE RETAINER | 3 | 3 |
| 15 | 10390-E30D | BURNER | 3 | • |
| | 10390-E30E | BURNER | • | 3 |
| 17 | 10342-245 | IGNITOR | 1 | 1 |
| 18 | 10342-E12 | ELECTRODE | 2 | 2 |
| 19 | 52224-024A | COLLECTOR BOX | 1 | 1 |
| 21 | 39004-042 | CONTROL ASSEMBLY | 1 | • |
| | 39004-043 | CONTROL ASSEMBLY | • | 1 |
| 23 | 10472-K431 | CONTROL KNOB | 3 | 3 |
| 29 | 34100-8 | LID PIN | 2 | 2 |
| 30 | 10194-E228 | CONTROL COVER | 1 | 1 |
| 31 | 31201-338 | EDGE CAP | 1 | 1 |
| 32 | 31201-318 | EDGE CAP | 1 | 1 |
| 33 | 10184-F35 | HEAT SHIELD | 1 | 1 |
| 36 | 10184-E281 | SUPPORT-CASTING | 2 | 2 |
| 39 | 31301-308 | BRACE-REAR | 1 | 1 |
| 41 | Y-12664 | LEG CLIP | 1 | 1 |
| 42 | Y-12662 | LEG CLIP | 4 | 4 |
| 43 | 31403-201A | LEG | 4 | 4 |
| 50 | 33101-308 | SHELF | 2 | 2 |
| 51 | 10338-144 | HANDLE | 2 | 2 |
| 58 | 34000-336 | BEZEL | 2 | 2 |
| 75 | 31106-13A | HANDLE | 1 | 1 |
| 76 | Y-12128 | BUSHING | 4 | 4 |
| 78 | 31003-248 | LEG PLUG | 4 | 4 |
| 81 | Y-12310 | SCREW 1/4-20 X 3/4 | 2 | 2 |
| 82 | Y-12860 | SCREW 1/4-20 X 1 | 4 | 4 |
| 87 | Y-11793 | NUT 1/4-20 | 6 | 6 |
| 96 | S21125 | SCREW #8 X 3/8 | 4 | 4 |
| 123 | 32051-302 | GREASE TRAY | 1 | 1 |
| 146 | S21233 | HITCH PIN CLIP | 2 | 2 |
| 147 | Y-11231 | BUMPER | 4 | 4 |
| 159 | S21136 | SCREW #8-32 X 3/8 | 3 | 3 |
| 161 | Y-29306 | SCREW #10-24 X 3/4 | 22 | 22 |
| 166 | Y-11979 | BOLT 1/4-20 X 3/8 | 6 | 6 |
| 167 | Y-11989 | BOLT 1/4-20 X 1 | 4 | 4 |

