

Broil King®



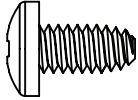


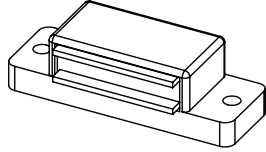
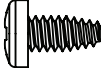
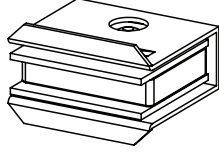
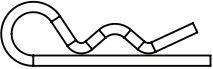
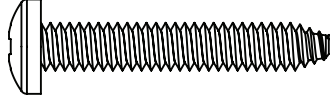
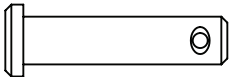
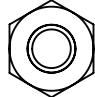
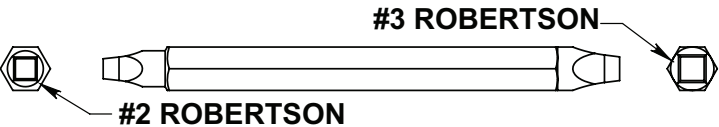
Broil King

REGAL 490
9562-83RU
9962-83RU

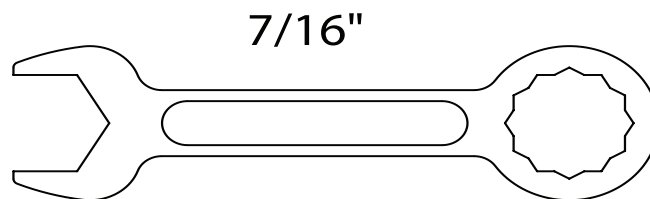
Onward
SINCE 1906
MANUFACTURING COMPANY
585 KUMPF DRIVE LIMITED
WATERLOO, ONTARIO, CANADA
N2V 1K3

20084-E77RU REV B 09/18

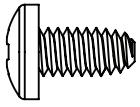
HARDWARE INCLUDED

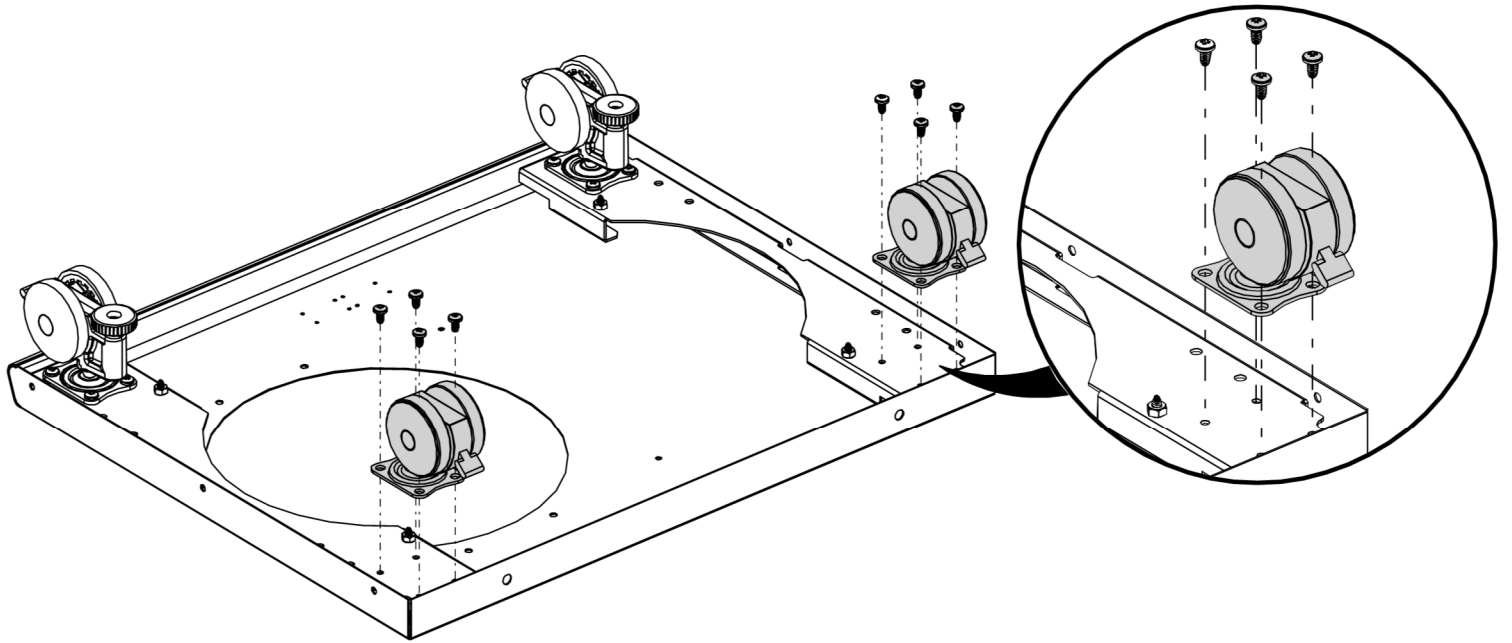
| | | | | | |
|--|--|-----|---------|--|----|
| Y-12865 |  | X26 | S21124 |  | X8 |
| S21125 |  | X4 | Y-12222 |  | X2 |
| Y-29304 |  | X6 | Y-12223 |  | X2 |
| S21233 |  | X2 | Y-11560 |  | X4 |
| S21235 |  | X2 | Y-11793 |  | X8 |
| <div style="display: flex; align-items: center; justify-content: center;">  </div> | | | | | |

TOOLS REQUIRED

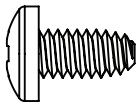
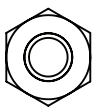


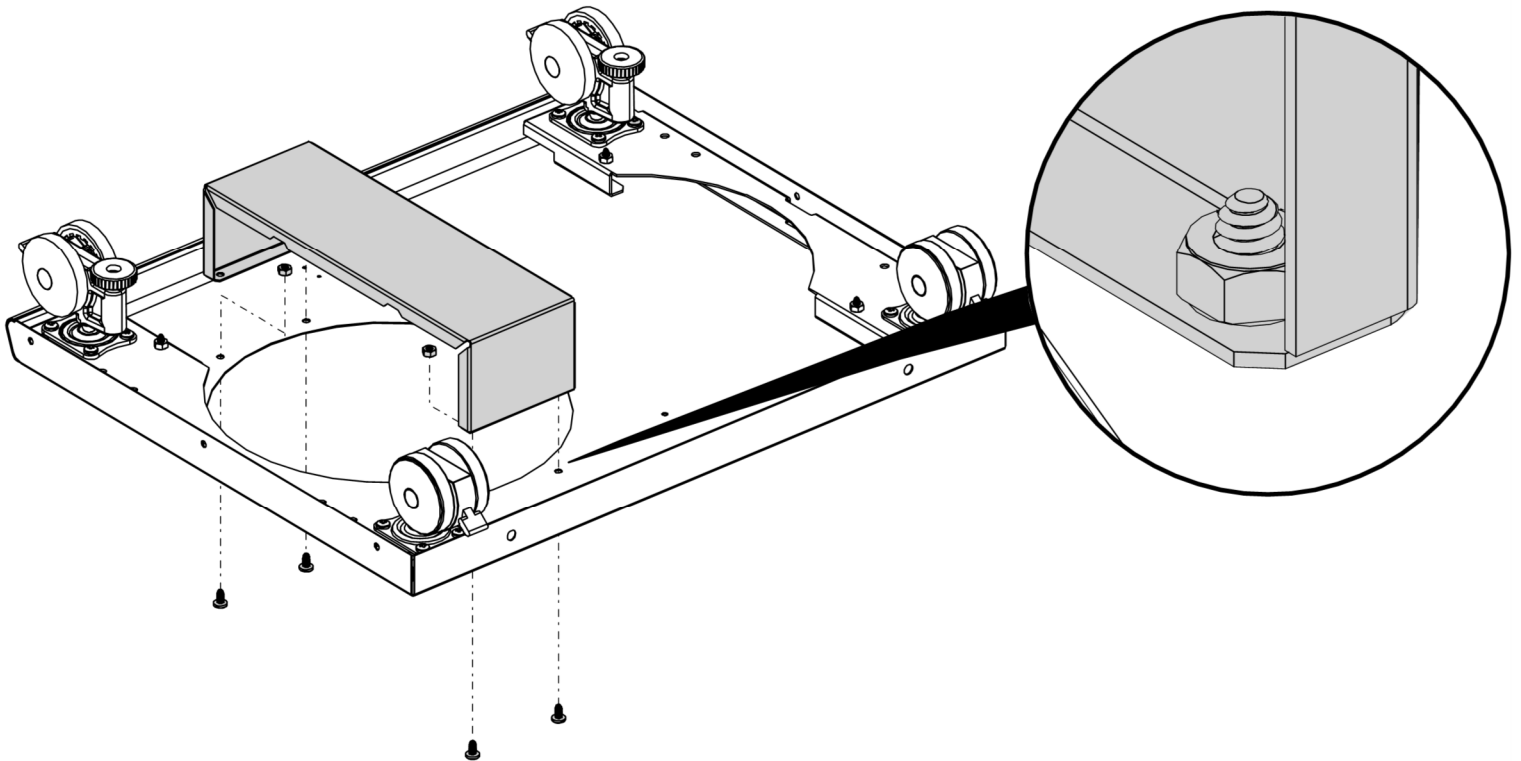
1

(8) 



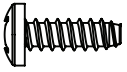
2

(4)  (4) 

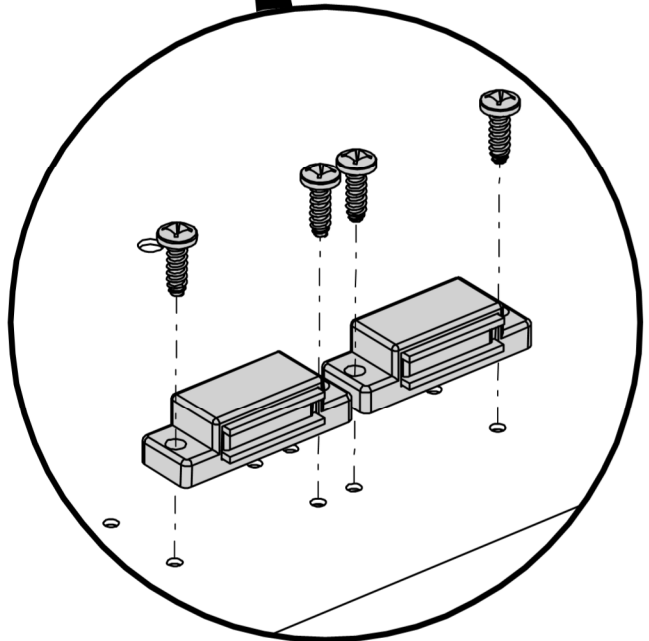
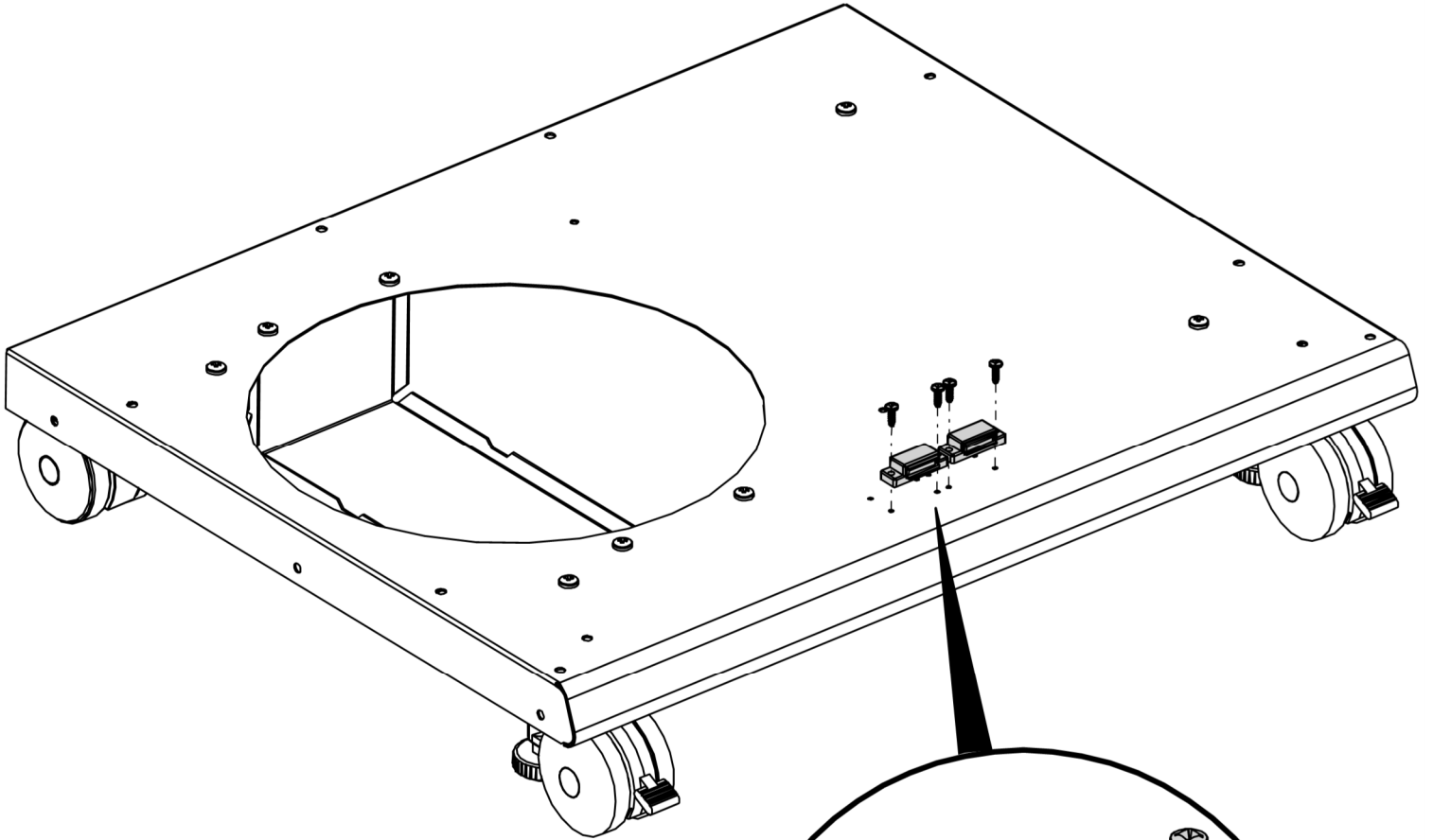
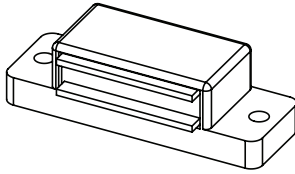


3

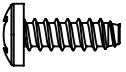
(4)



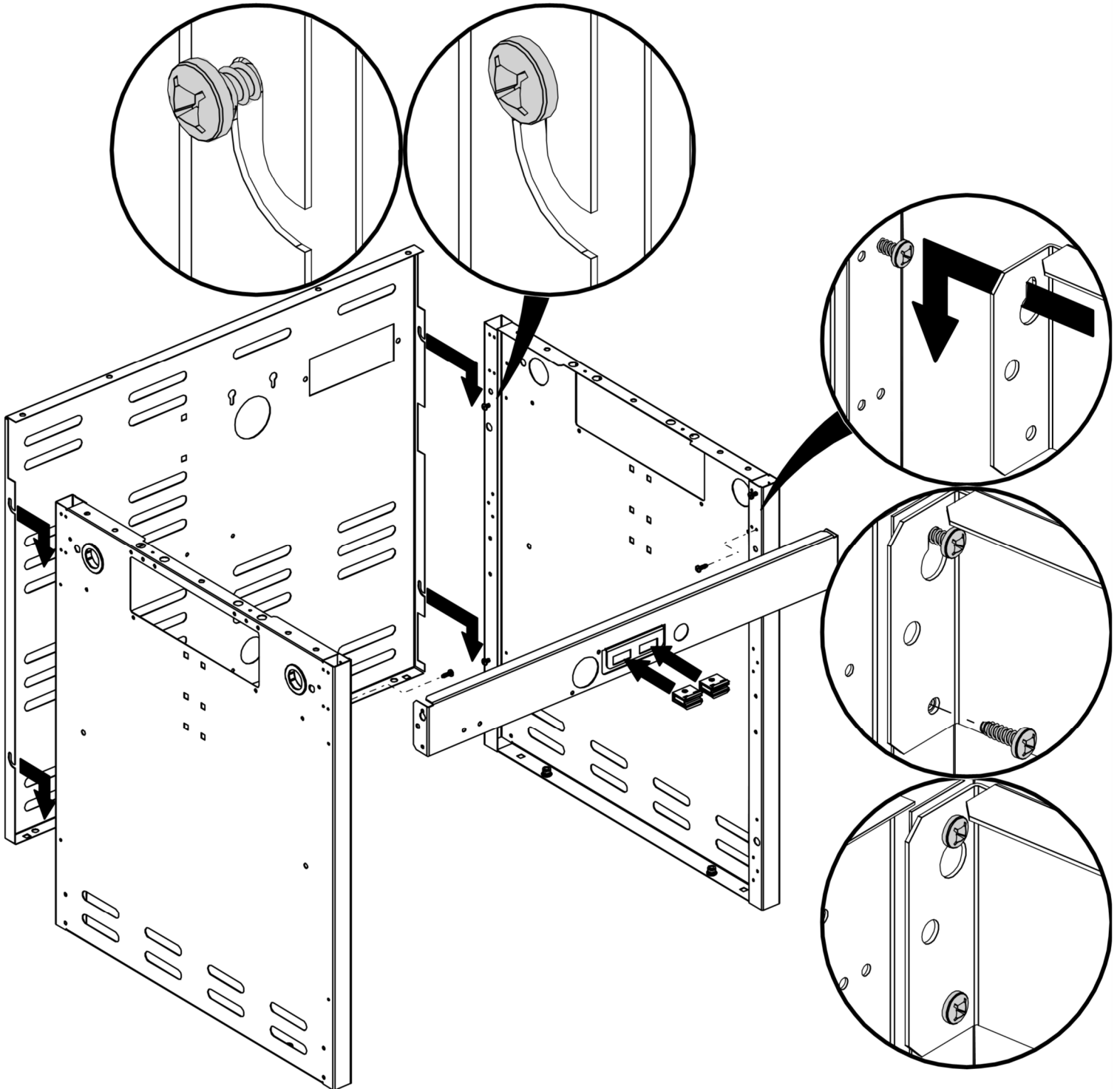
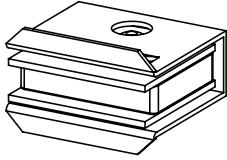
(2)



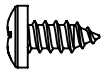
4

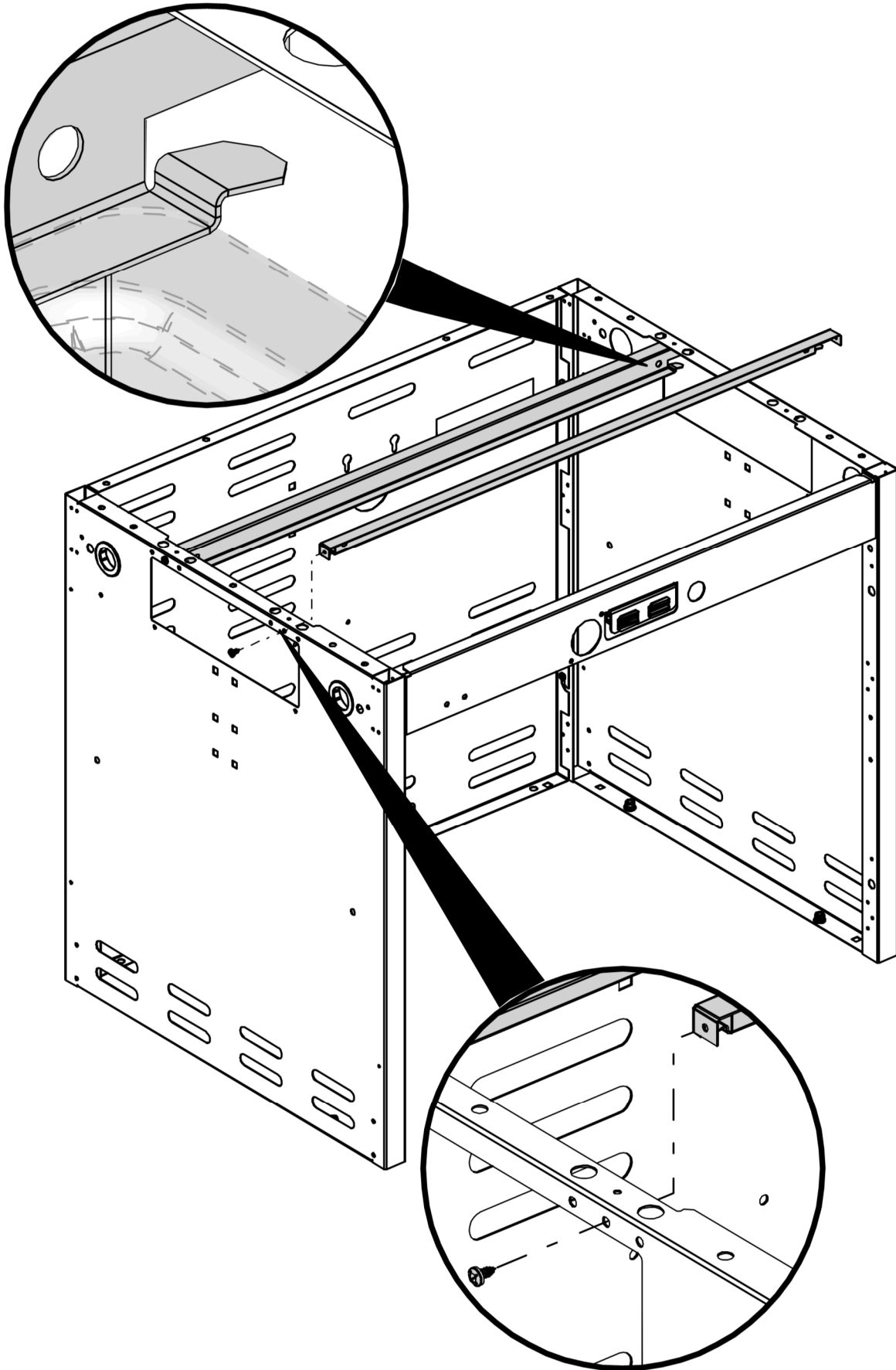
(2) 

(2)



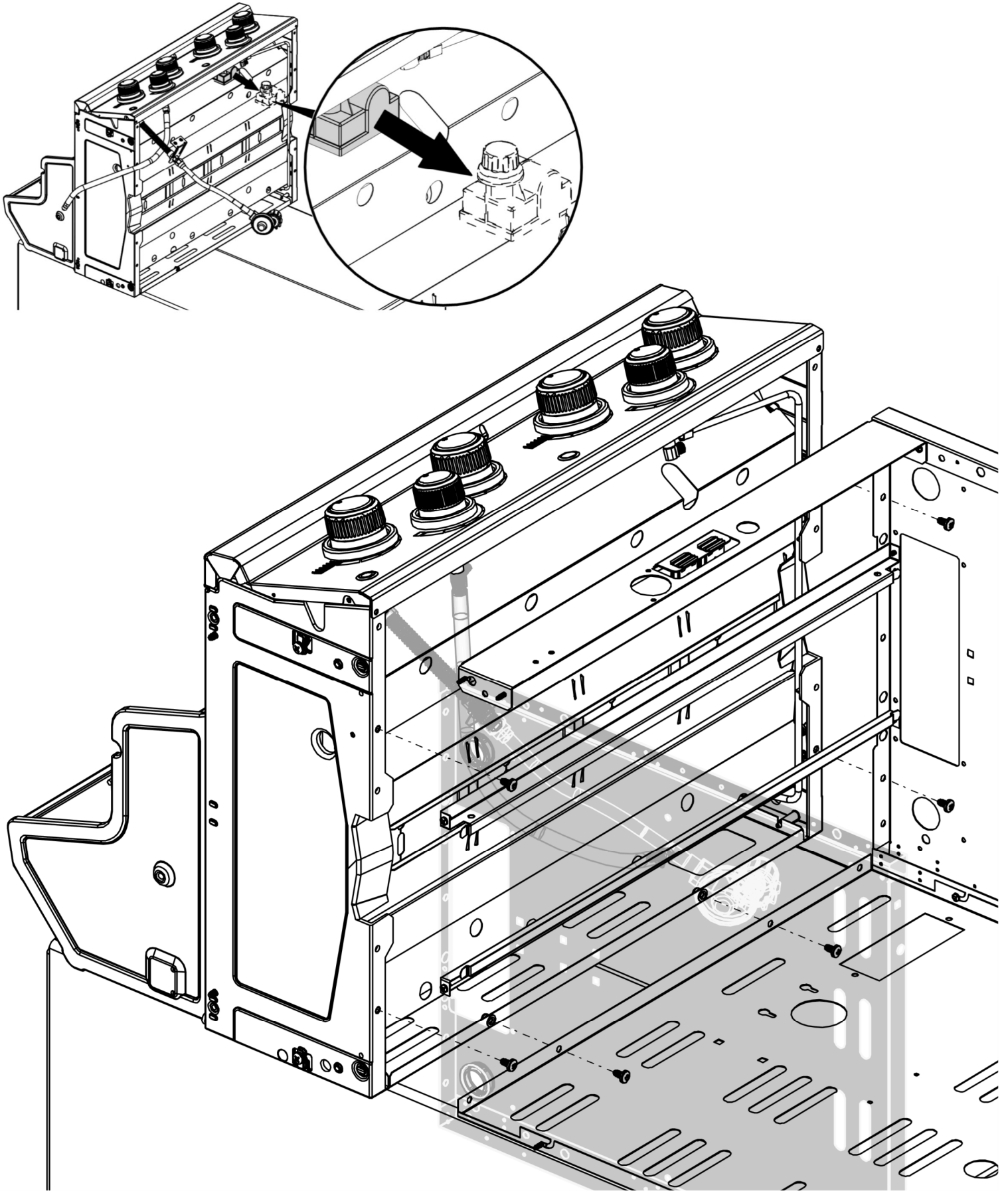
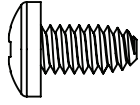
5

(4) 

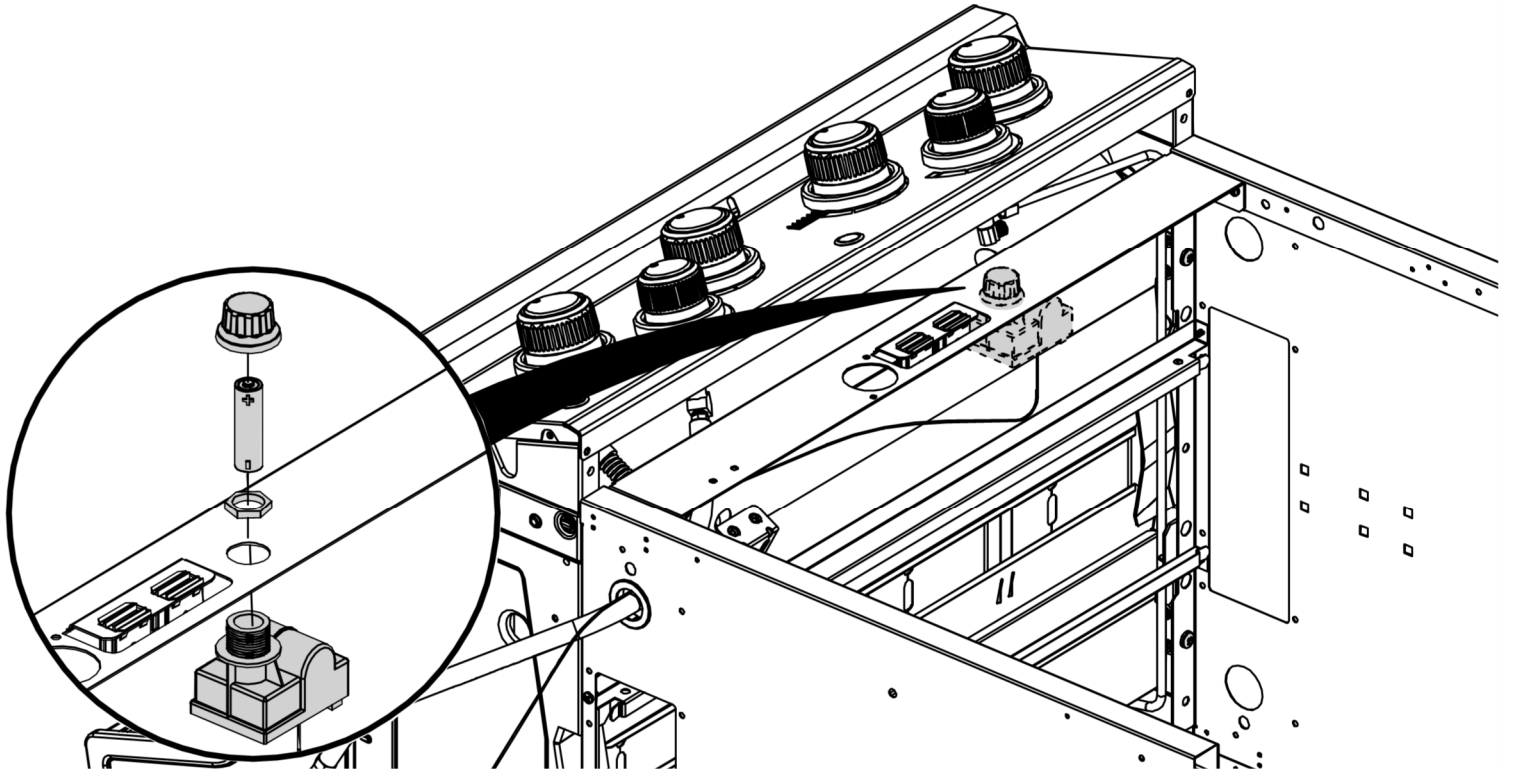


6


(6)

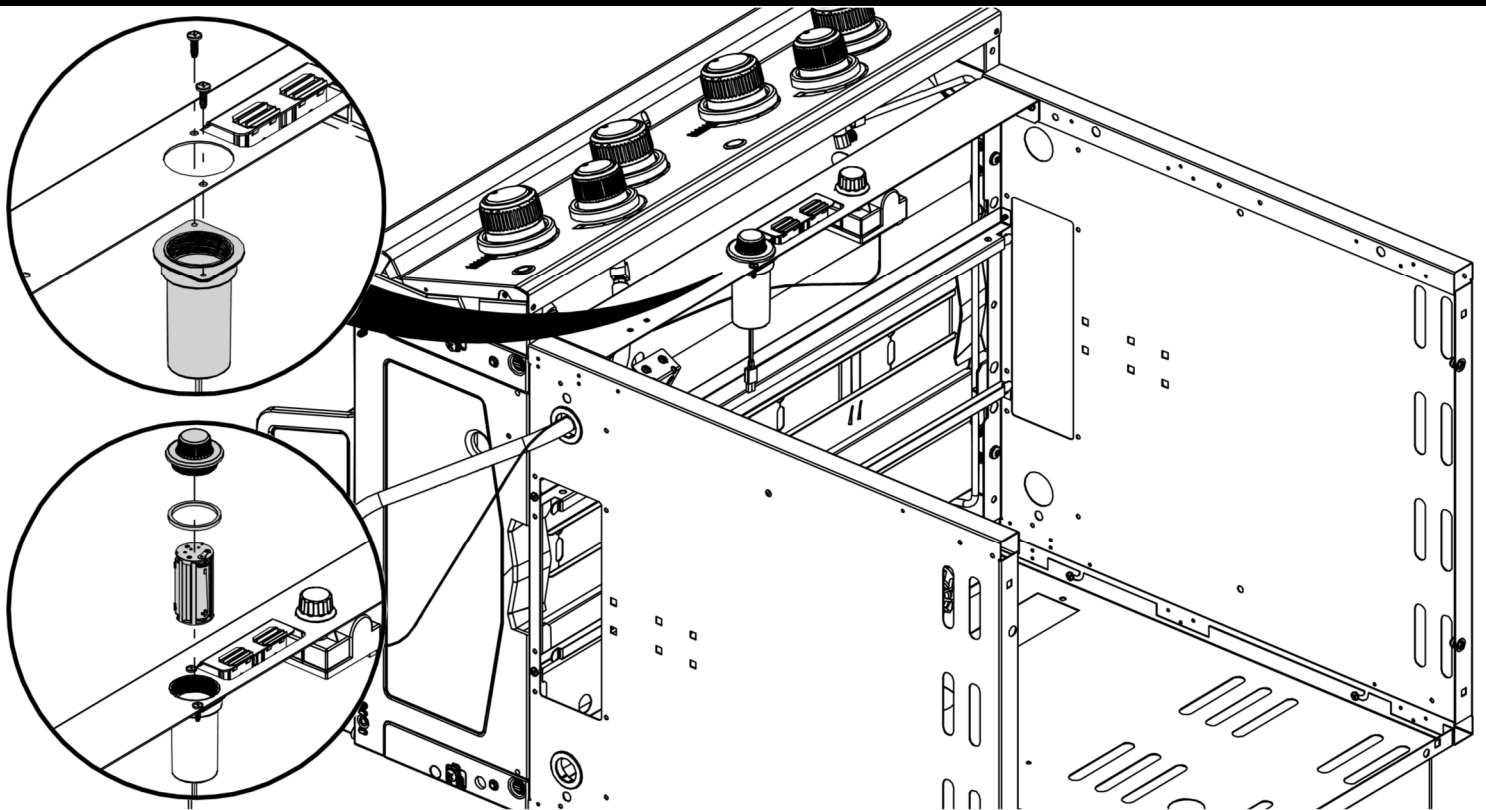


7

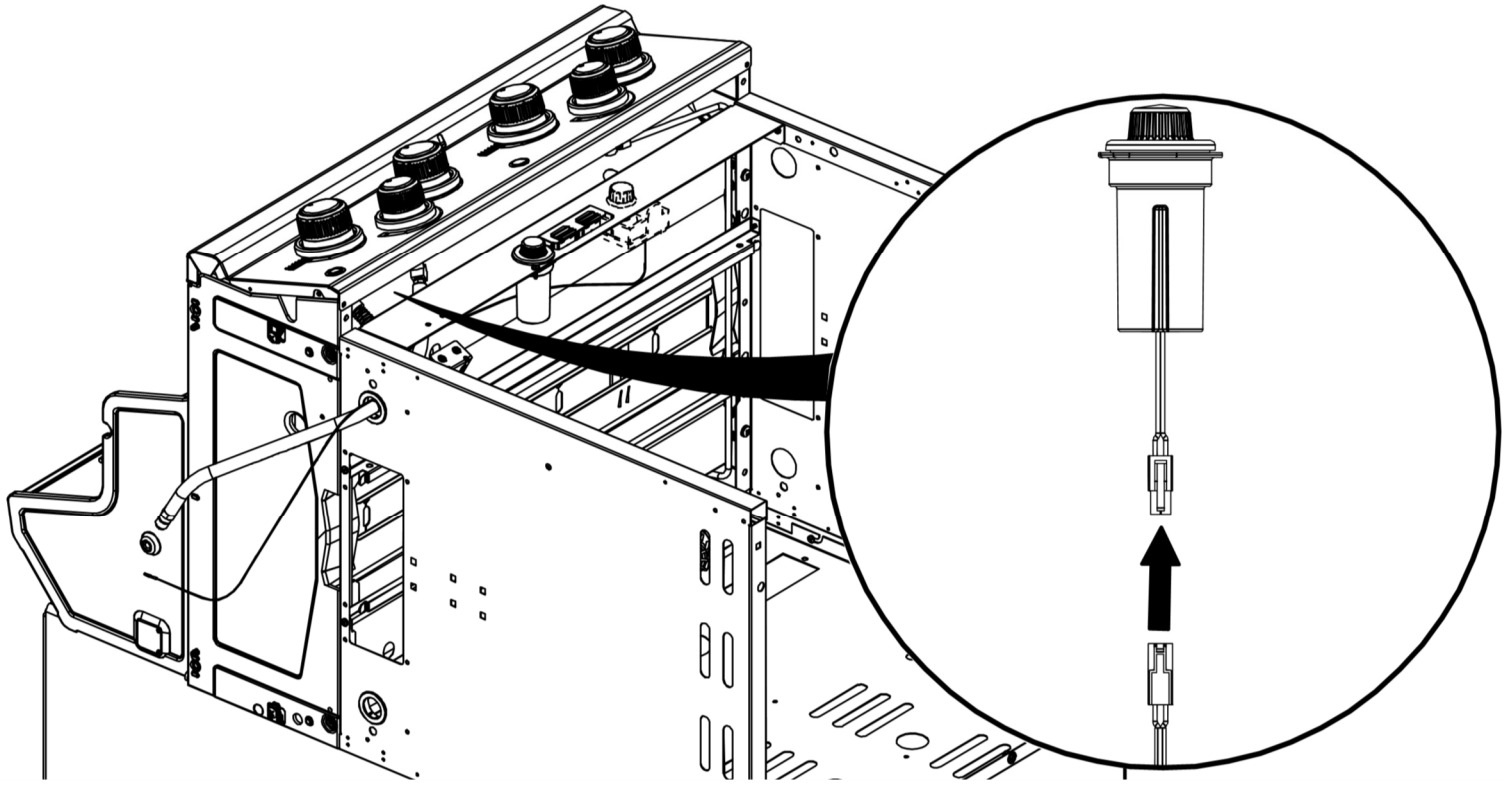


8

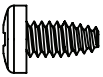
(2) 

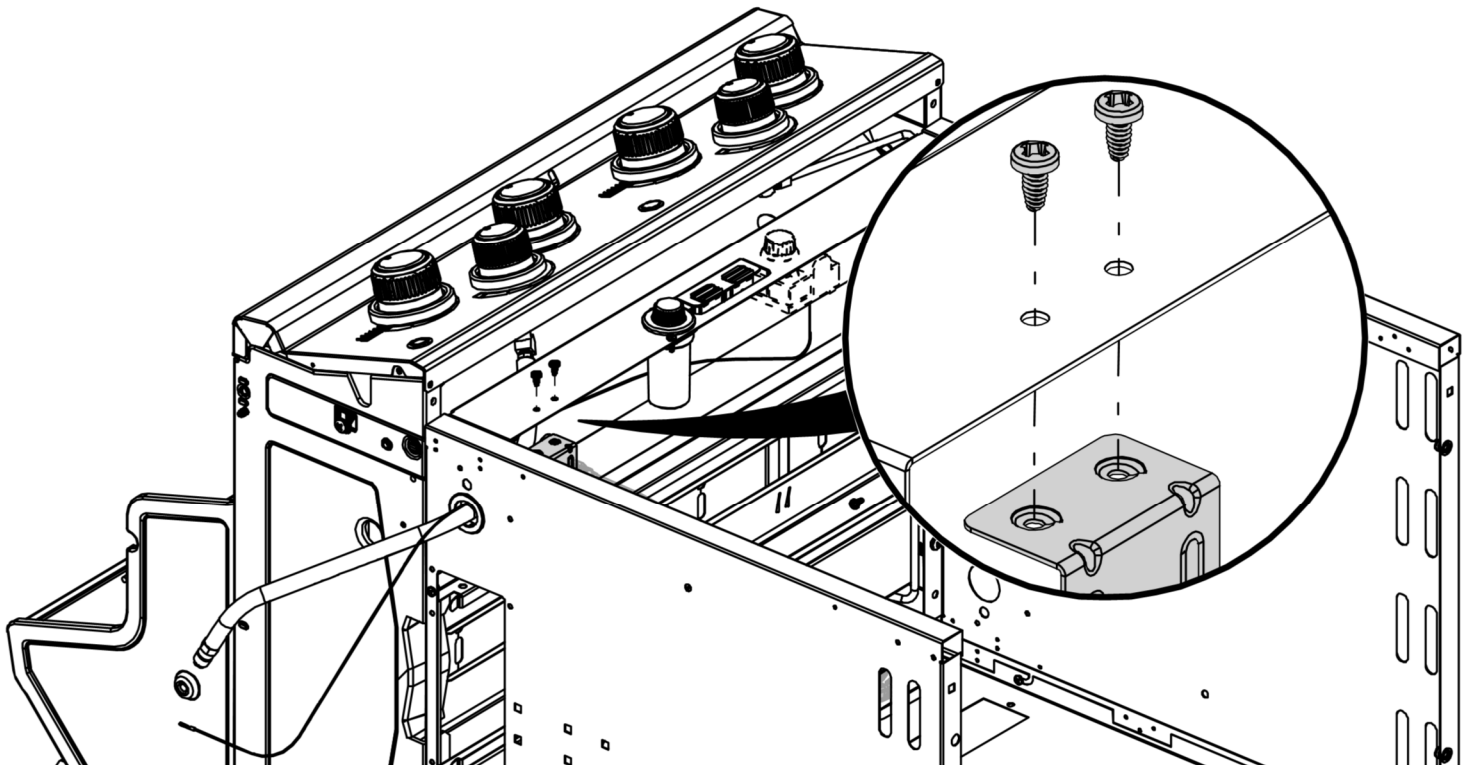


9

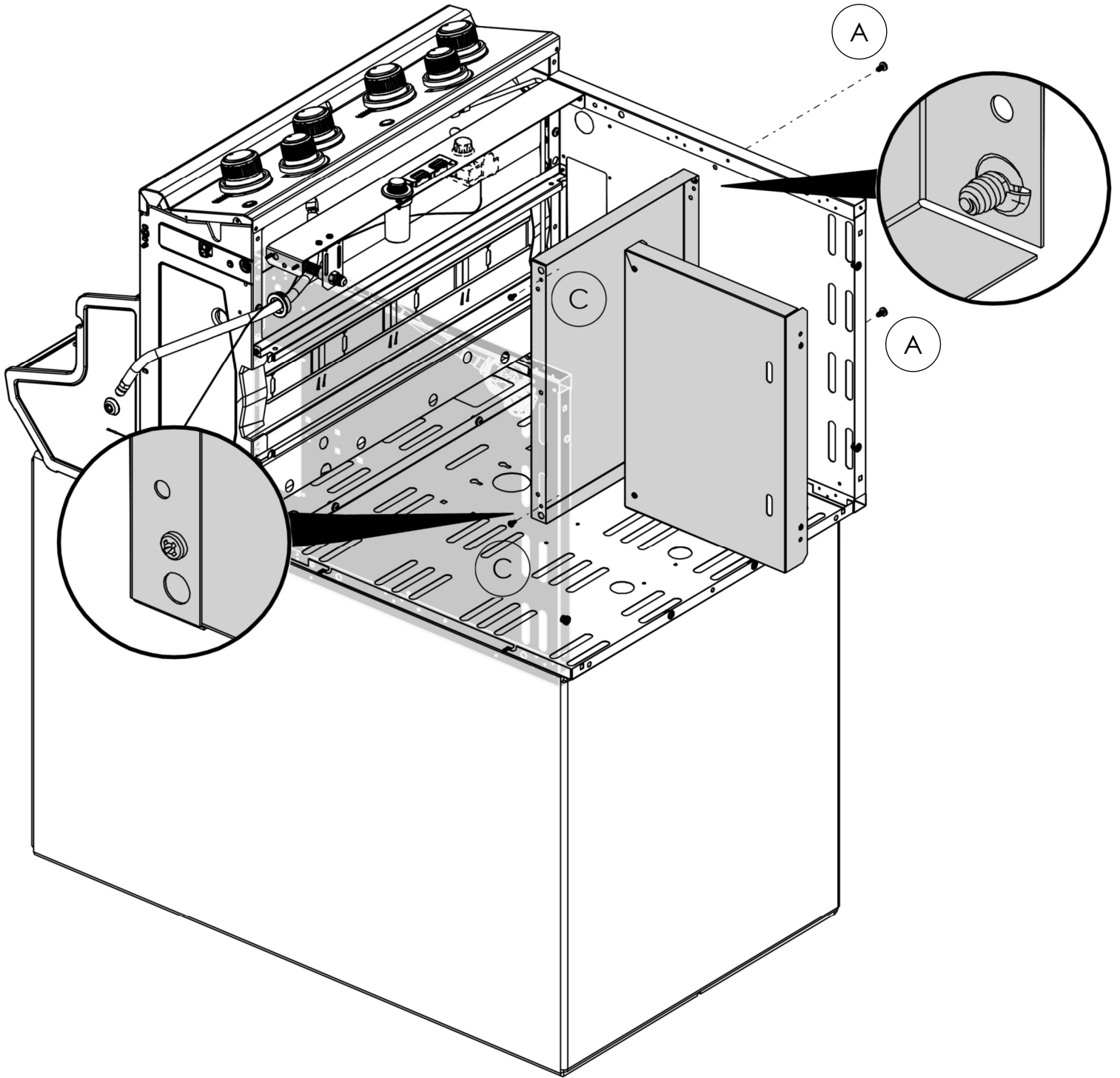
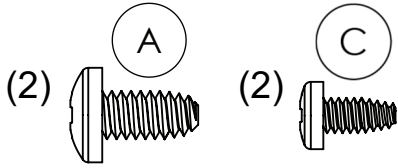


10

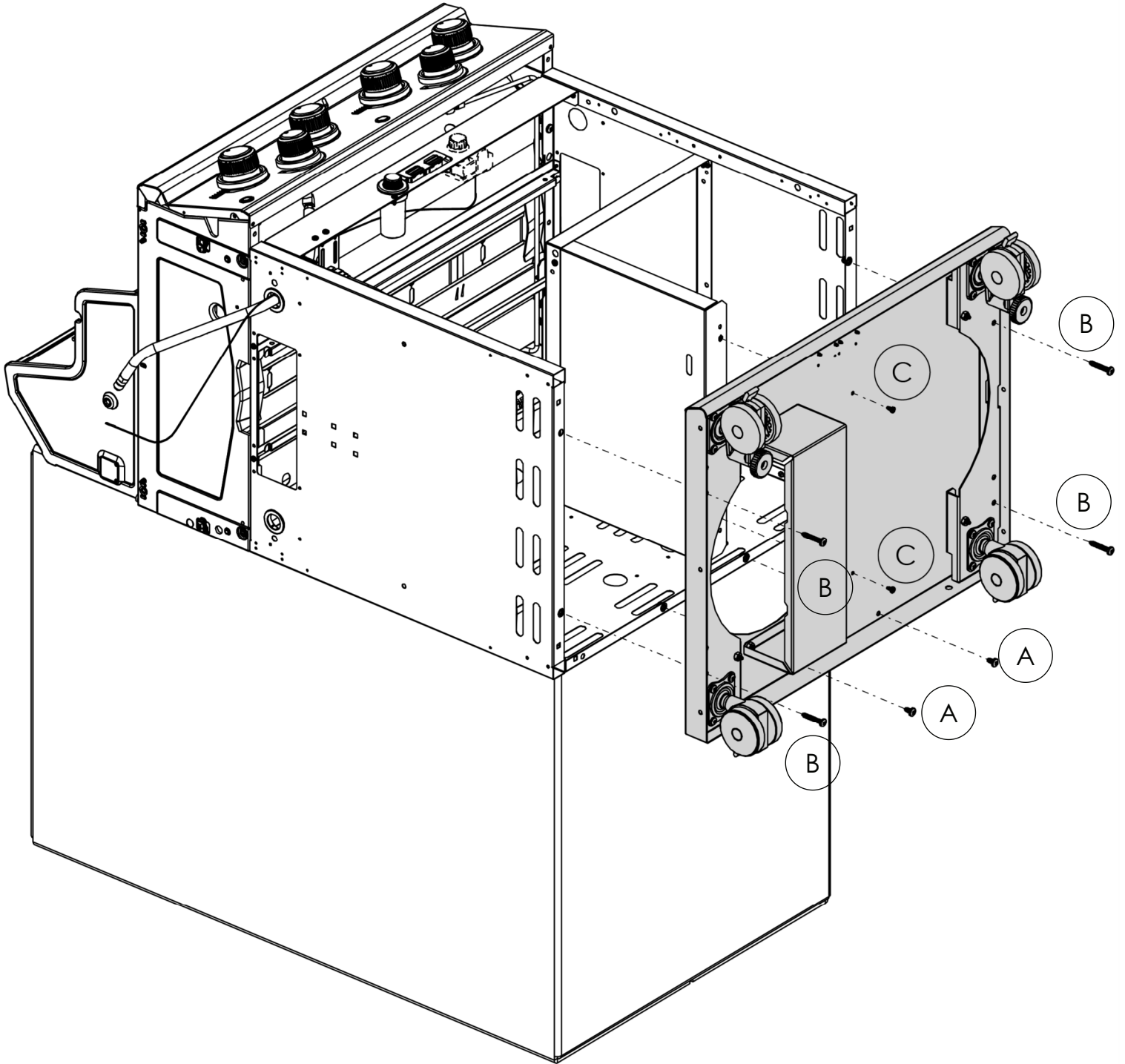
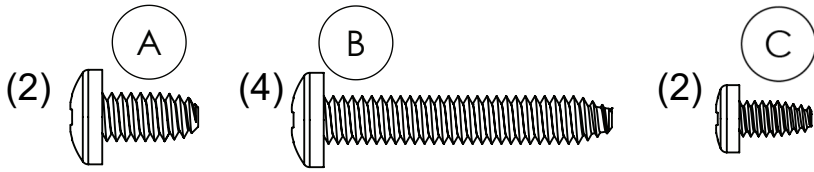
(2) 



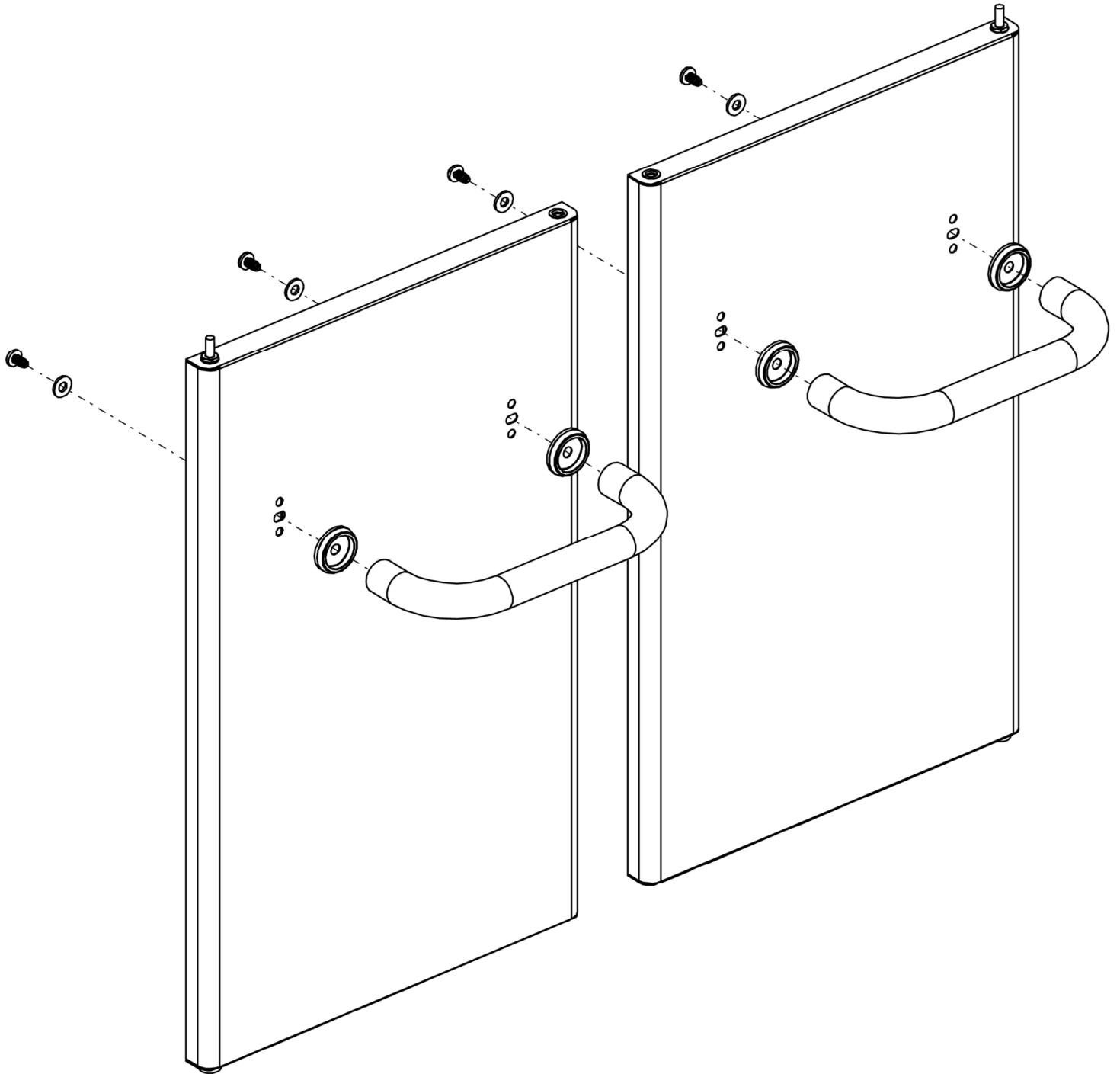
11

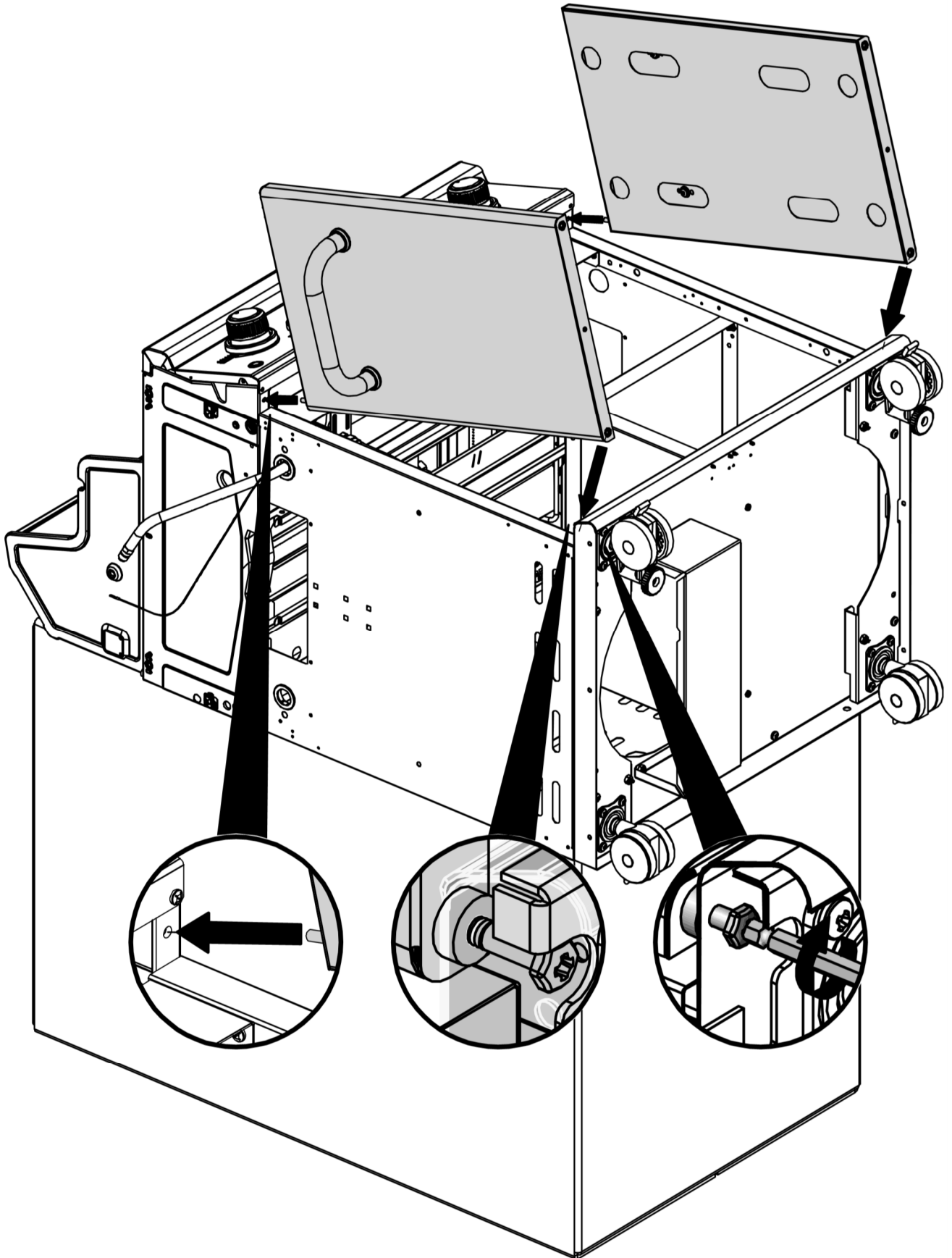


12

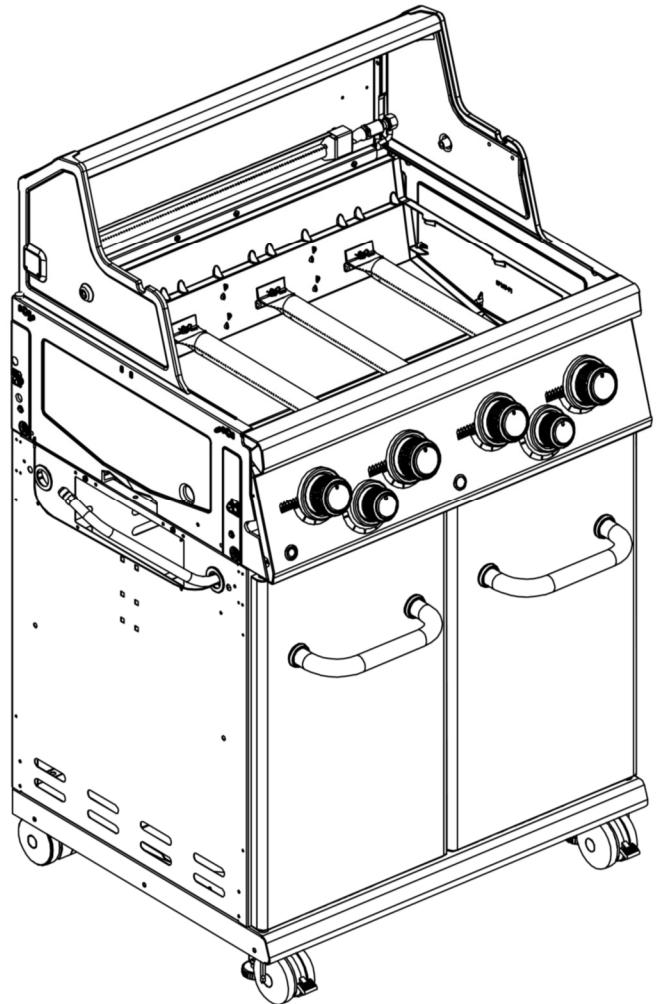
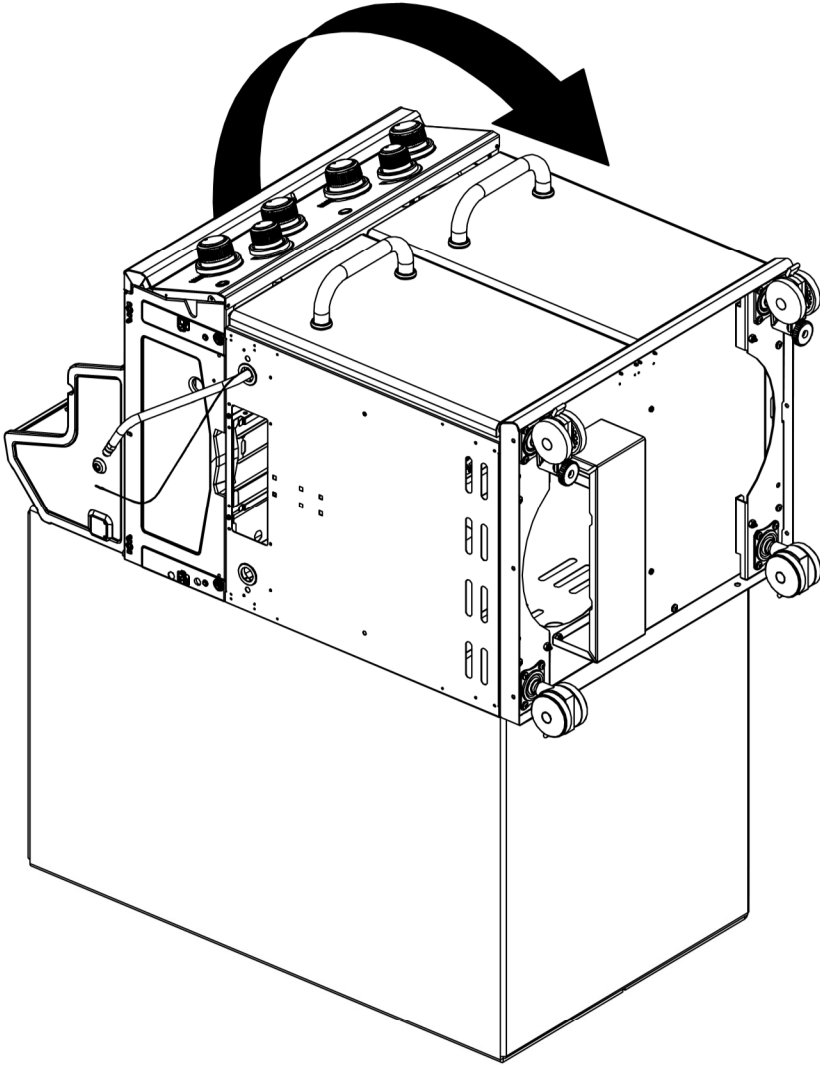


13

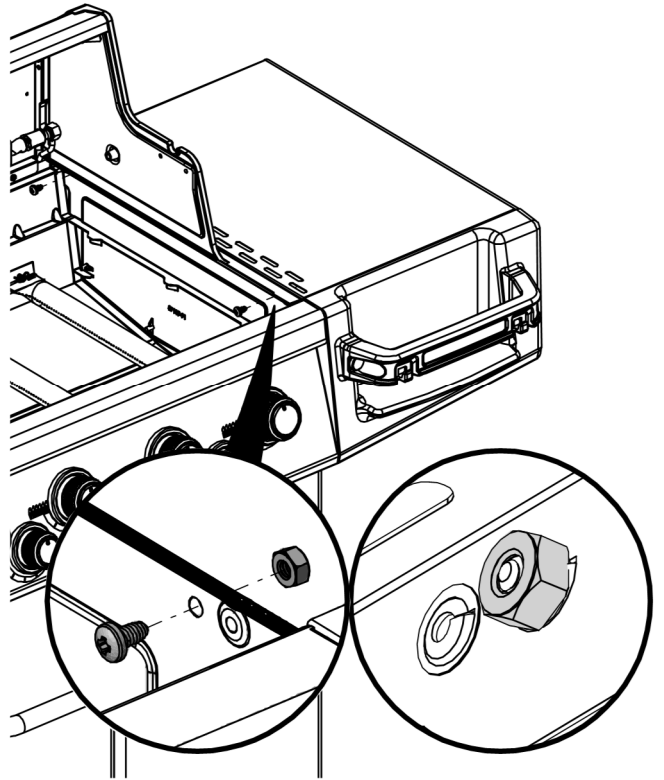
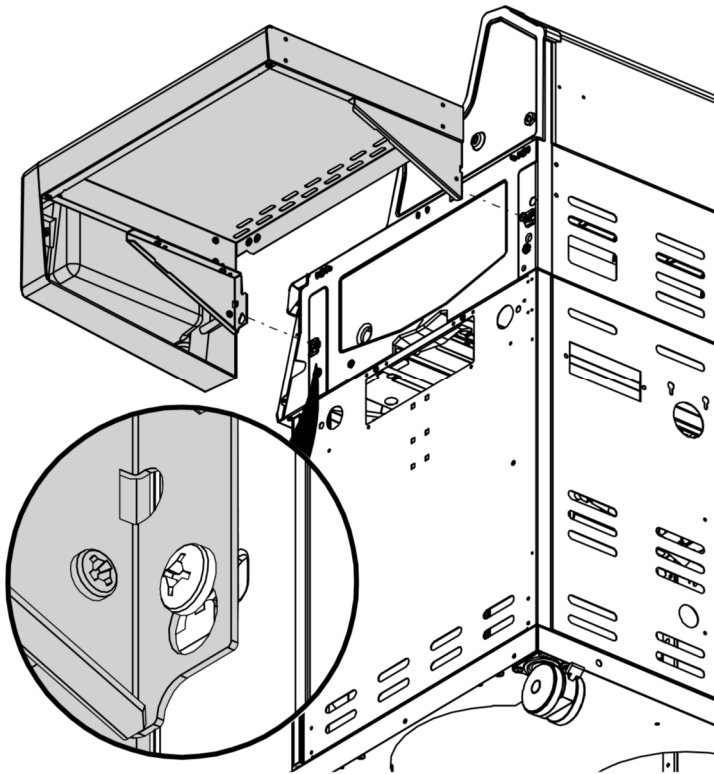
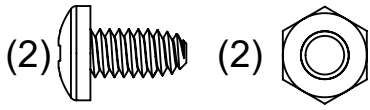




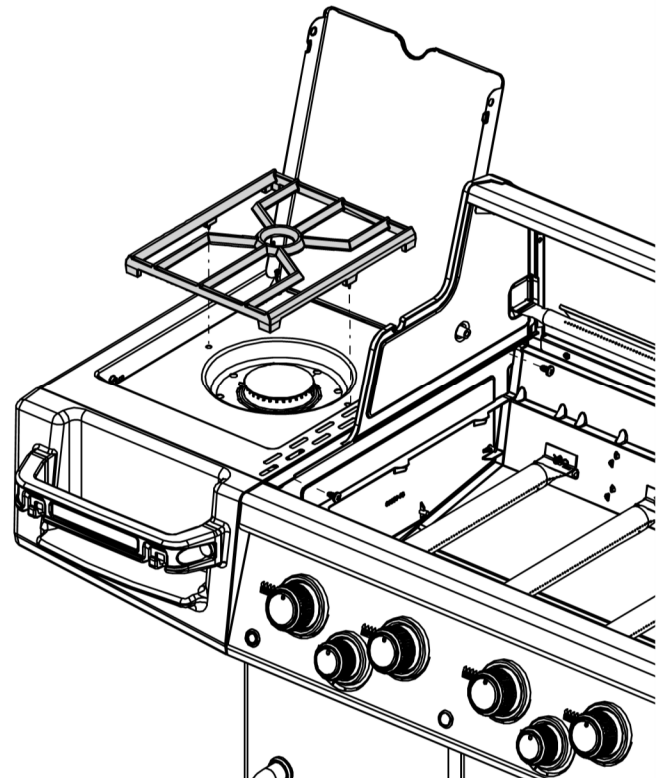
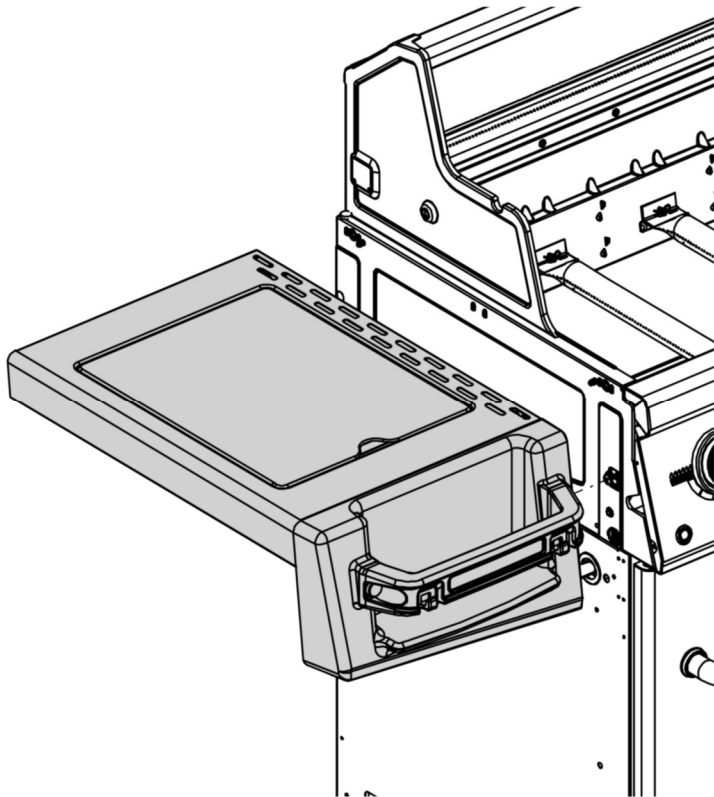
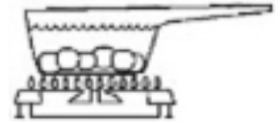
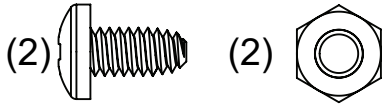
15



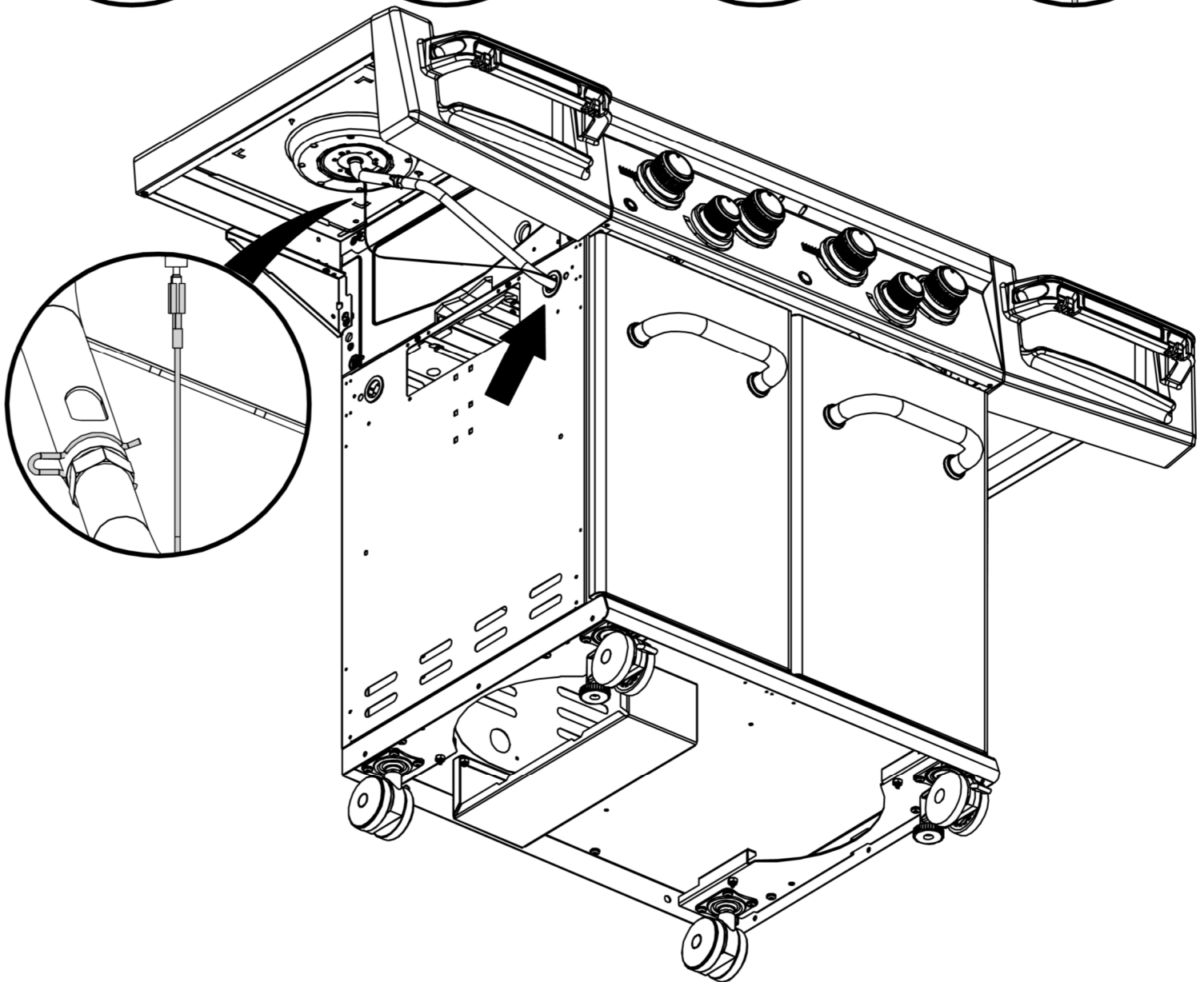
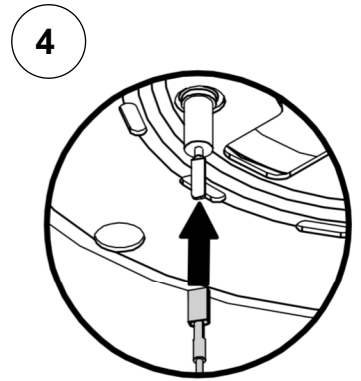
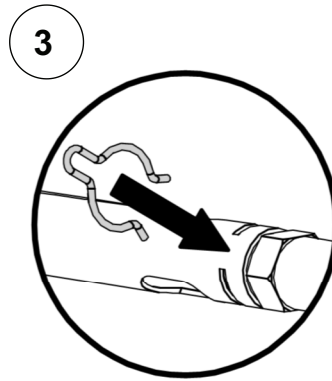
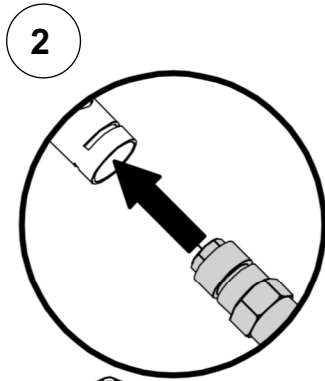
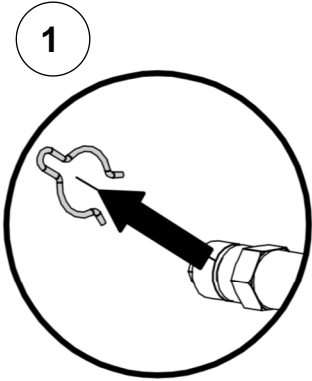
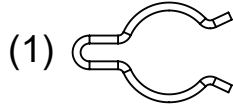
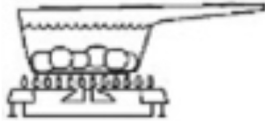
16

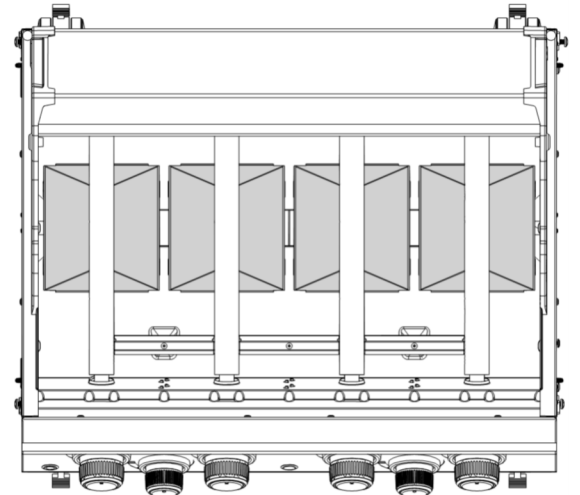
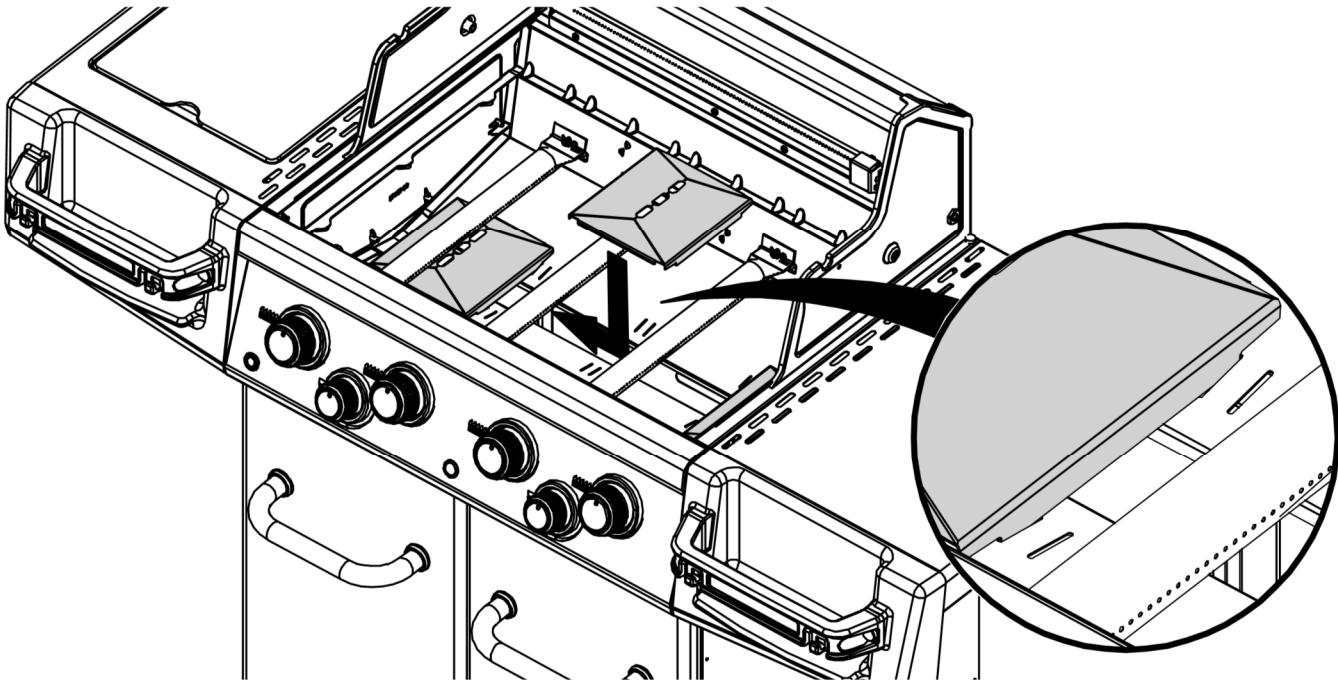
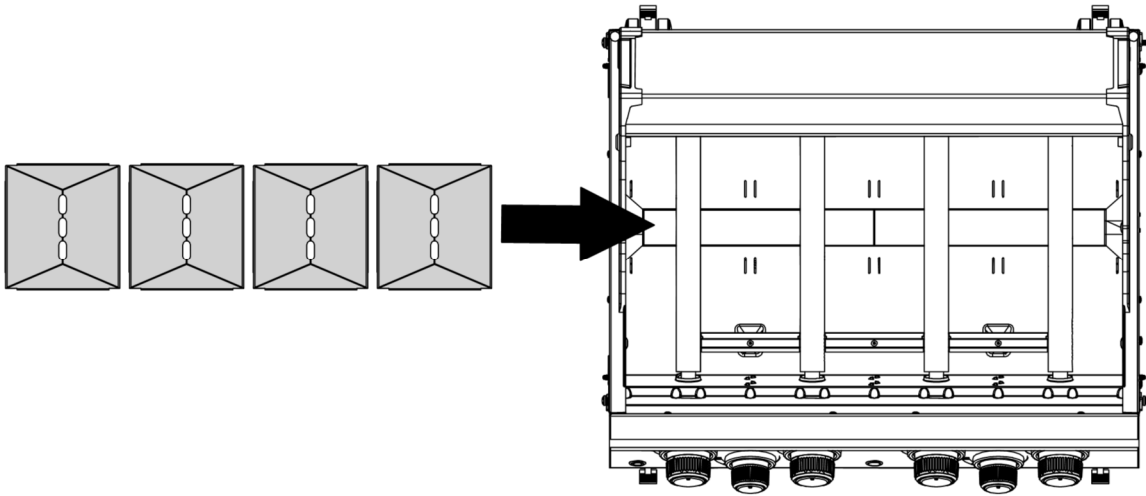


17

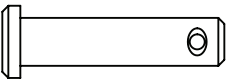
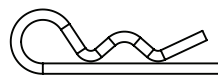


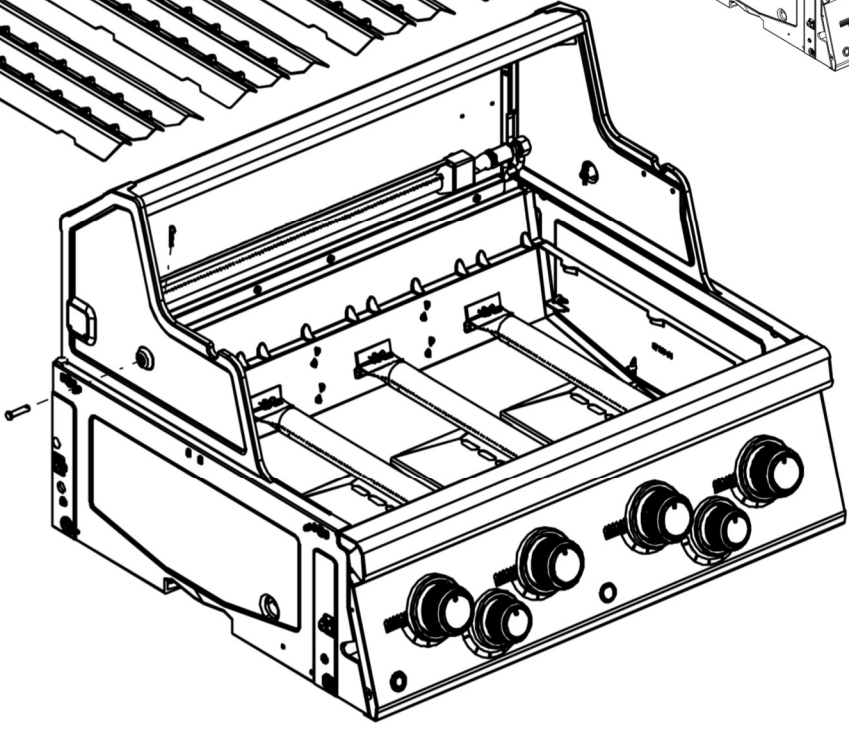
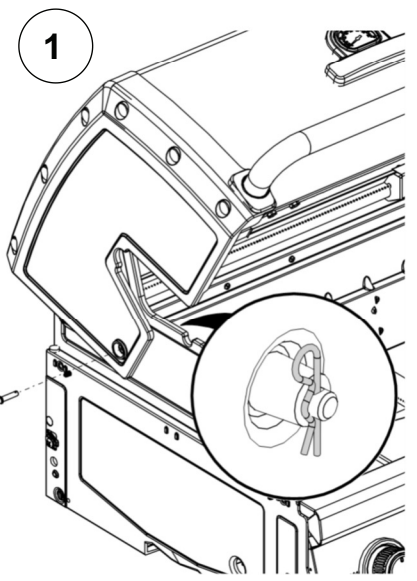
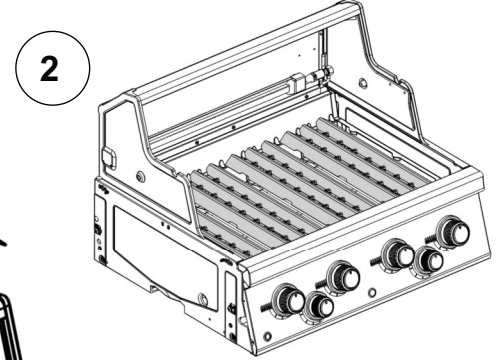
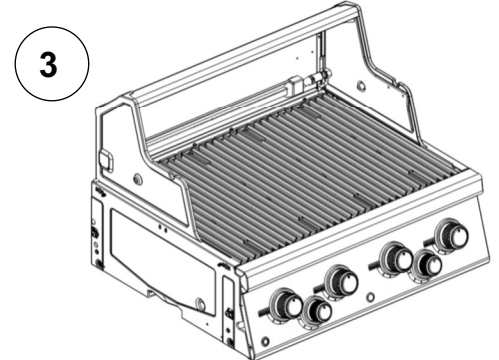
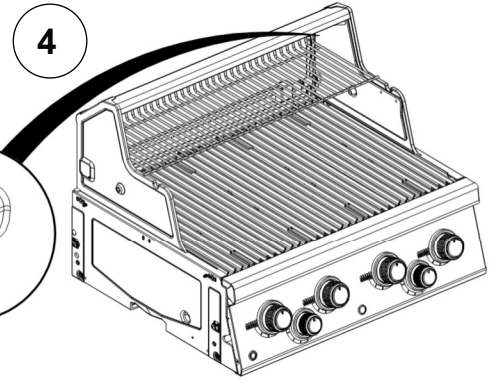
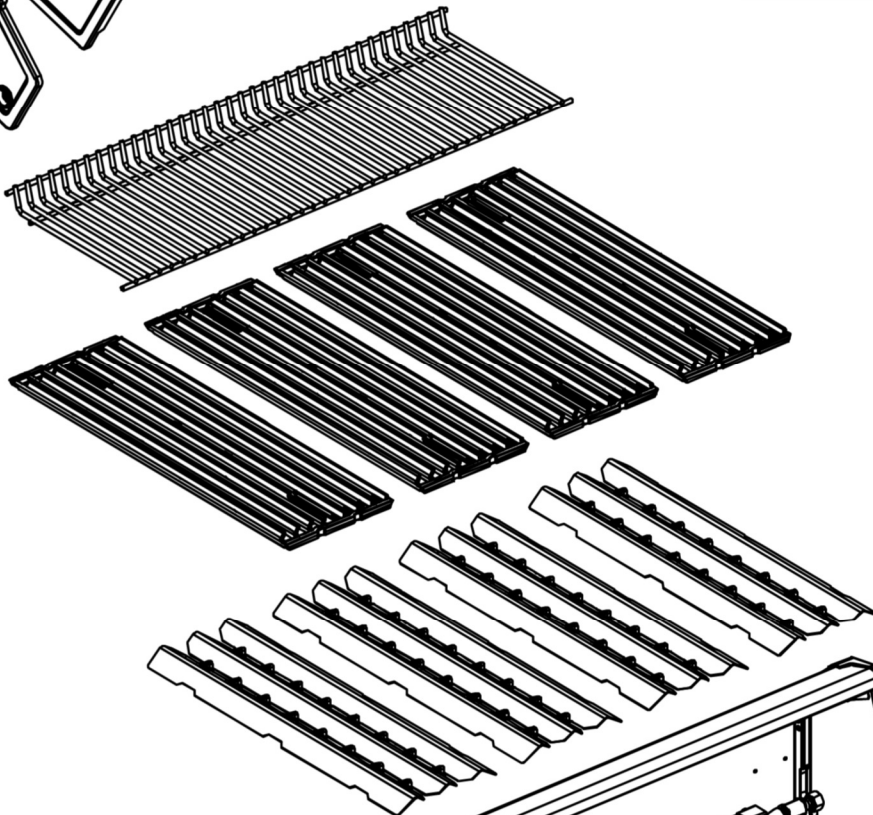
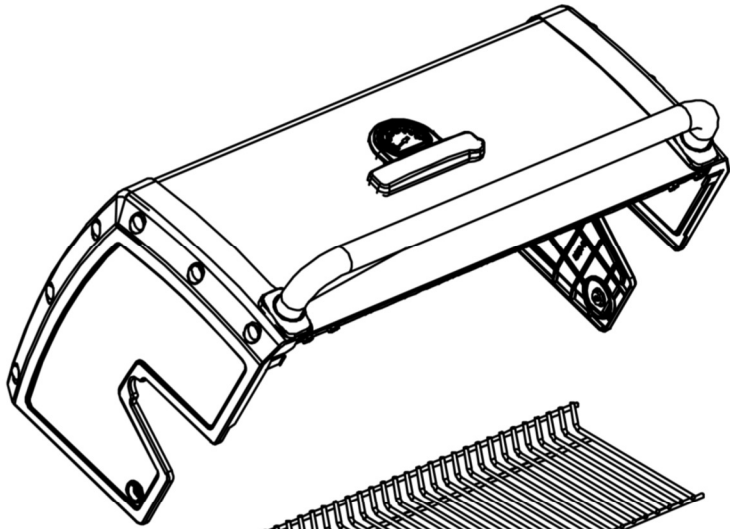
18

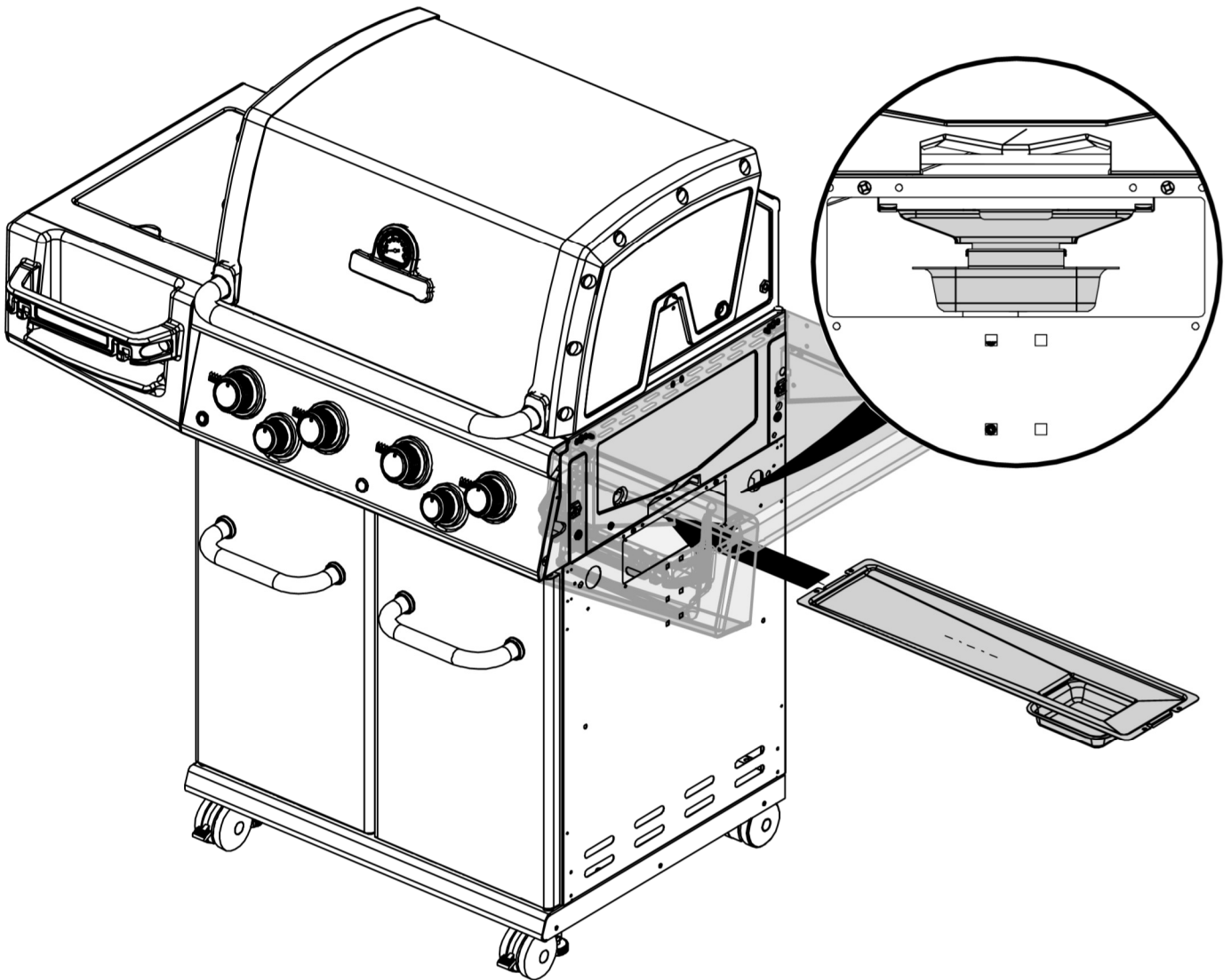
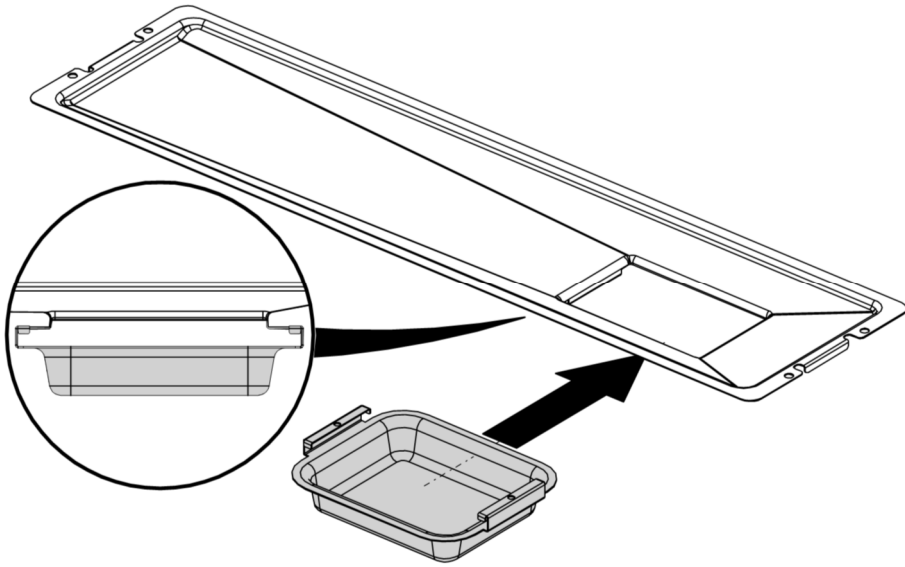




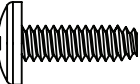
20

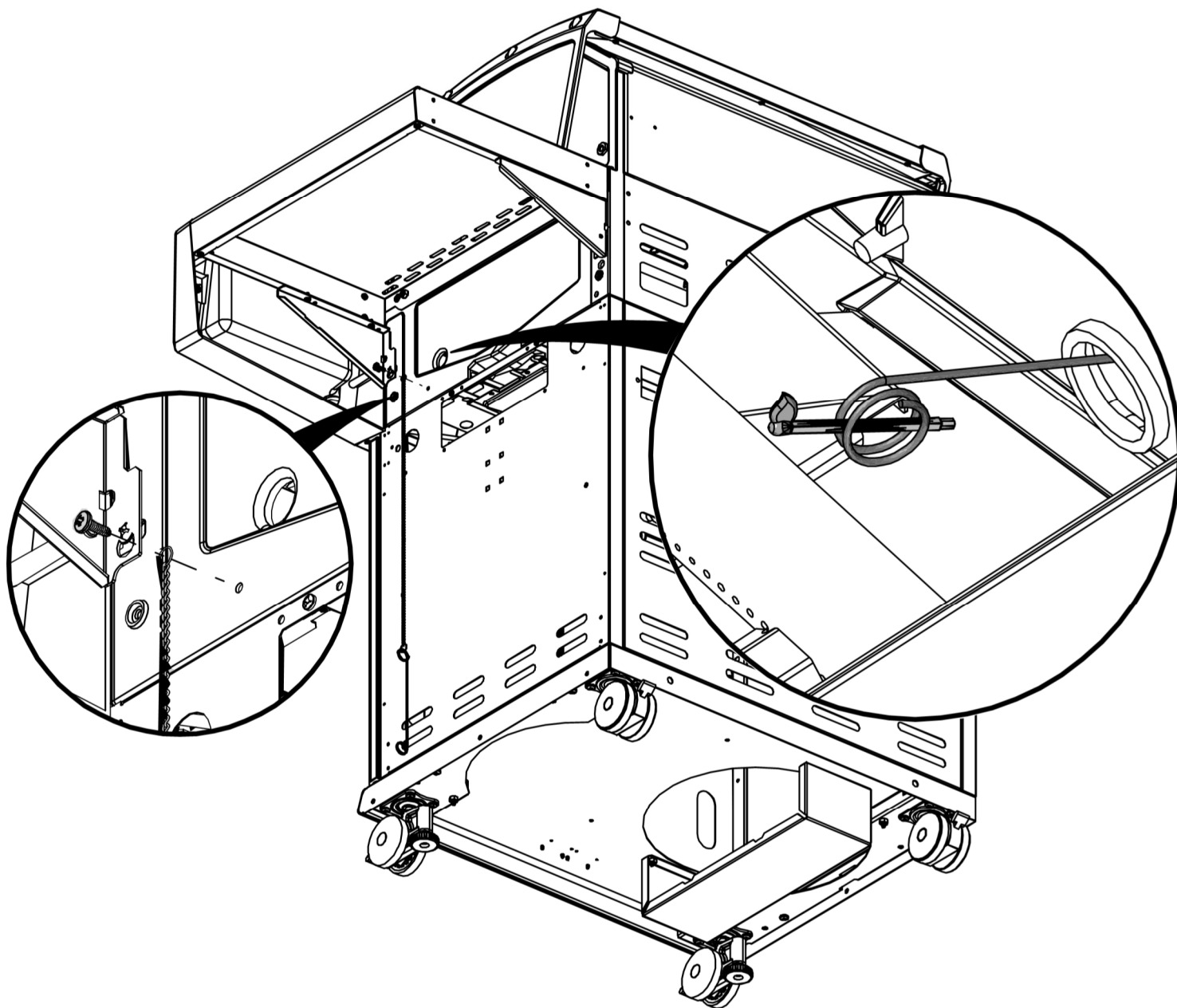
(2)  (2) 

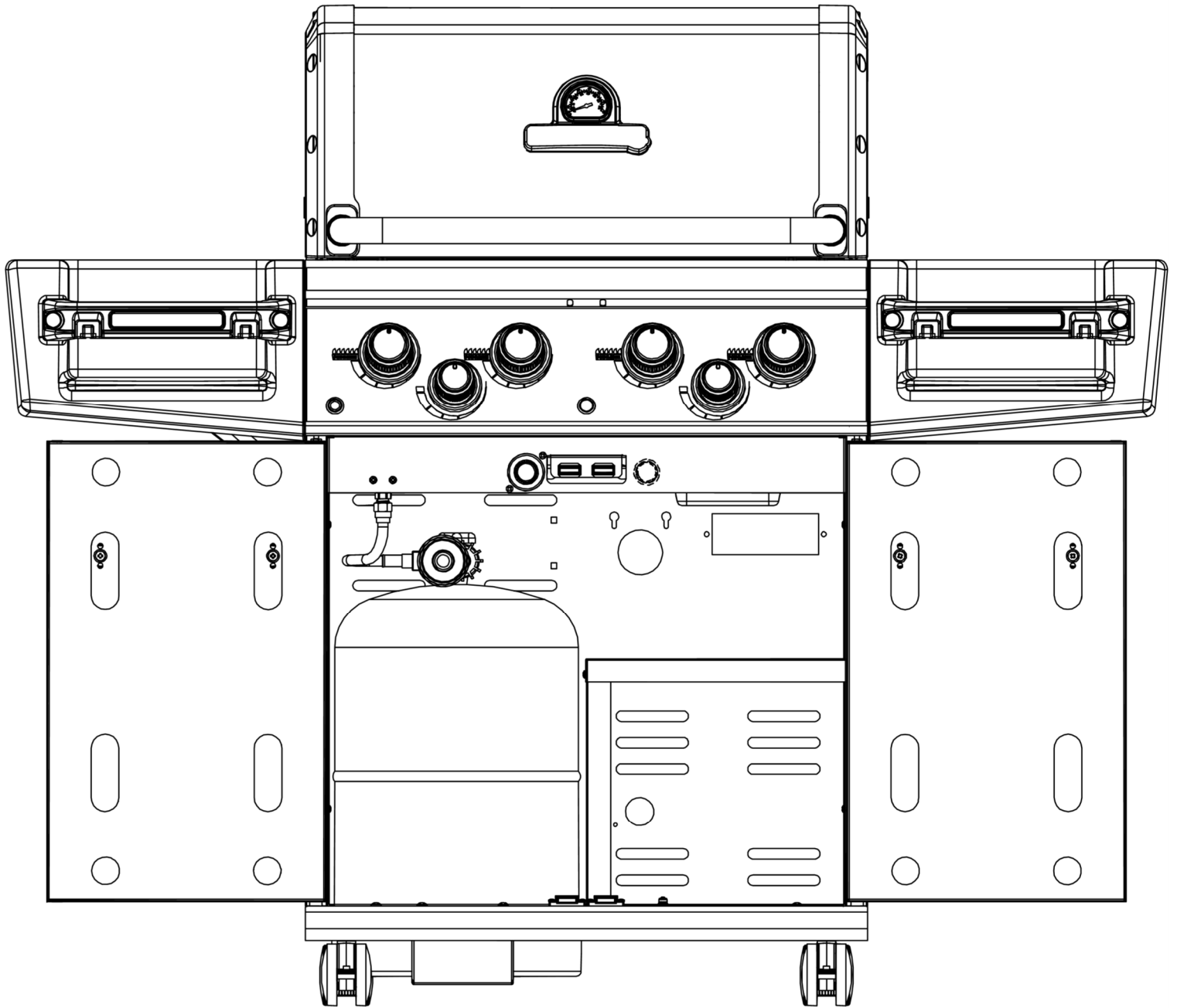




22

(1)  (1)

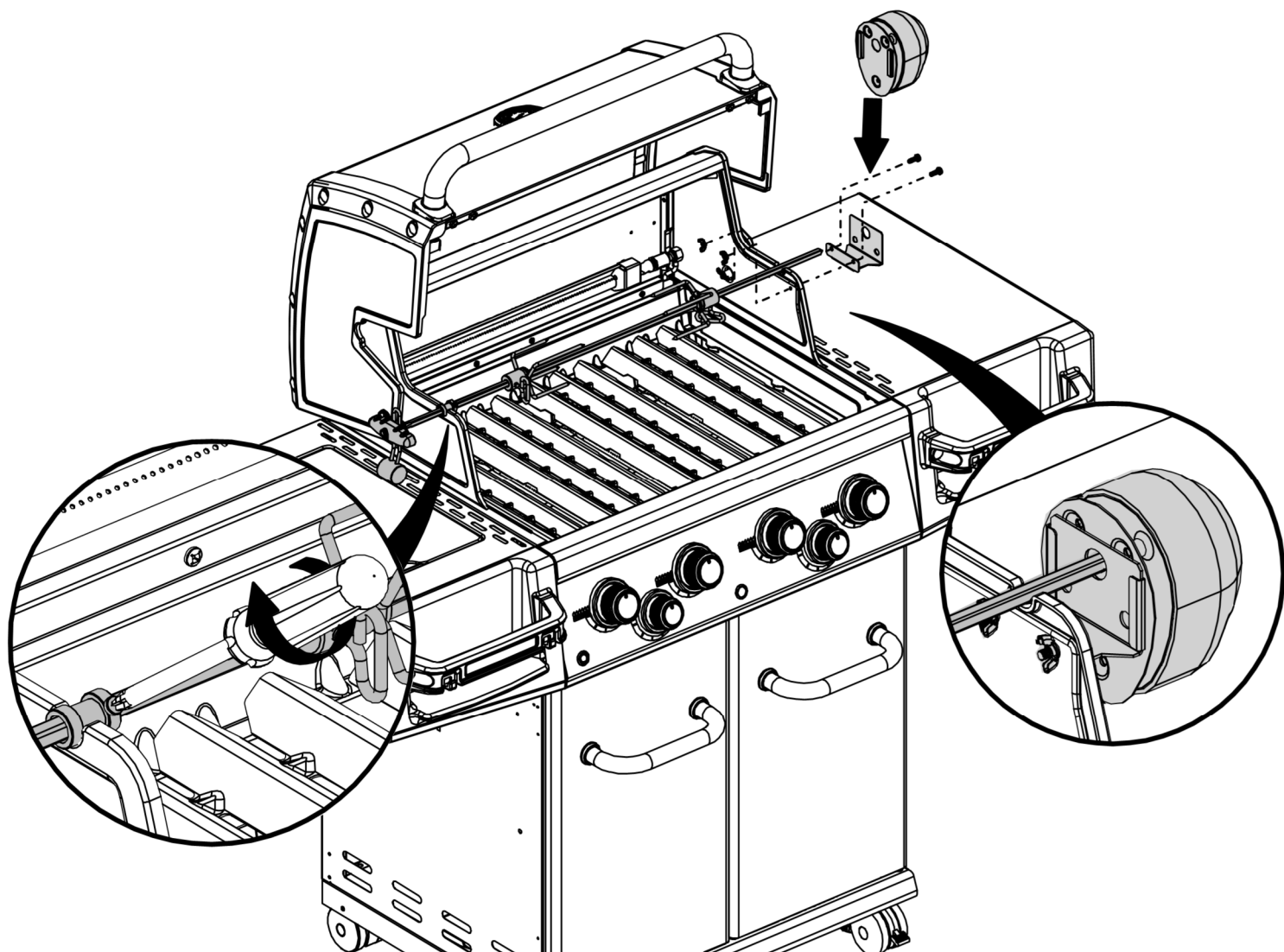
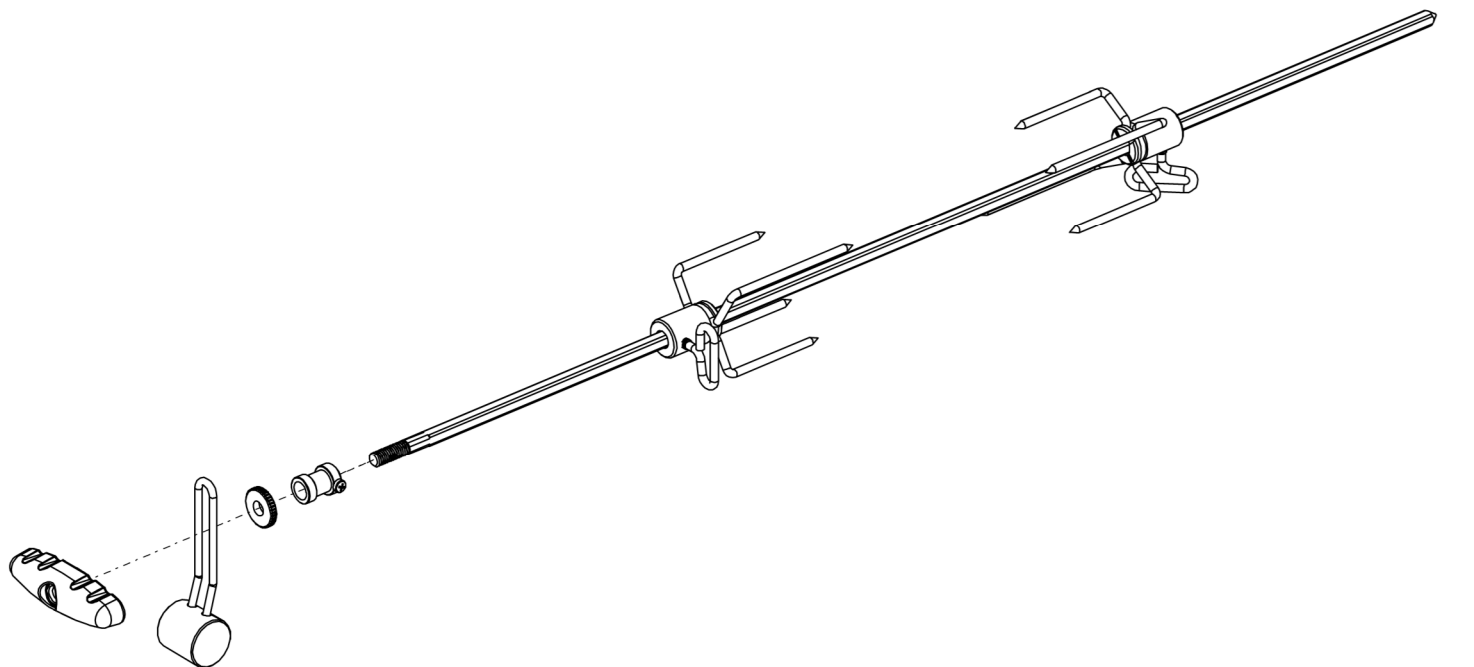




24



- (2)  (2) 



PARTS LIST / LISTE DES PIECES

| <u>KEY #</u> | <u>ITEM #</u> | <u>DESCRIPTION</u> | <u>9562-83RU</u> | <u>9962-83RU</u> |
|--------------|---------------|---------------------------|------------------|------------------|
| 1 | 27005-004 | FIRE BOX | 1 | 1 |
| 2 | 86005-301 | LID | 1 | 1 |
| 5 | 27249-904 | GREASE SHIELD | 4 | 4 |
| 7 | Y-11544 | BURNER SCREW | 4 | 4 |
| 8 | S21242 | CLIP | 4 | 4 |
| 18 | 22005-281 | GRID | 4 | 4 |
| 20 | 22005-991 | WARMING RACK | 1 | 1 |
| 22 | 22225-014A | COLLECTOR BOX | 1 | 1 |
| 25 | 22909-104E | BURNER | 4 | 4 |
| 26 | 22001-769 | CONTROL KNOB | 4 | 4 |
| 26A | 22001-669 | CONTROL KNOB | 2 | 2 |
| 27 | 22002-264 | CONTROL BEZEL | 4 | 4 |
| 27A | 22001-164 | CONTROL BEZEL | 2 | 2 |
| 28 | 22005-884 | CONTROL COVER | 1 | 1 |
| 32 | 10111-15A | HOSE | 1 | 1 |
| 34 | S13473-079 | HOSE-SIDE BURNER | 1 | 1 |
| 34A | Y-11230 | CLIP | 1 | 1 |
| 35 | 29005-075 | CONTROL ASSEMBLY | 1 | 1 |
| 36 | 10342-T18 | ELECTRODE – SIDE BURNER | 1 | 1 |
| 37 | 20809-957 | REAR BURNER GAS TRAIN | 1 | 1 |
| 38 | Y-11990 | NUT - REAR BURNER | 1 | 1 |
| 43 | 10342-E13 | ELECTRODE | 2 | 2 |
| 44 | 10342-44 | ELECTRONIC IGNITOR - QUAD | 1 | 1 |
| 44A | 25070-92 | IGNITOR WIRE HARNESS | 1 | 1 |
| 44B | 25070-93 | IGNITOR BUTTON | 1 | 1 |
| 47 | 21035-991 | GREASE RAIL | 2 | 2 |
| 48 | 22009-901 | GREASE PAN | 1 | 1 |
| 49 | 27055-901 | GREASE TRAY | 1 | 1 |
| 51 | 22209-904 | FLAV-R-WAVE ® | 4 | 4 |
| 56 | 24005-12A | HANDLE | 1 | 1 |
| 58 | 54009-936 | HANDLE - BEZEL | 2 | 2 |
| 59 | 10081-BK630 | NAMEPLATE | 1 | 1 |
| 60 | 10571-6 | HEAT INDICATOR | 1 | 1 |
| 65 | 20005-000 | MATCH LIGHT - STICK | 1 | 1 |
| 68 | 23275-111A | DOOR | 1 | 1 |
| 69 | 23275-131A | DOOR | 1 | 1 |
| 70 | 21071-13 | HANDLE | 2 | 2 |
| 71 | 21070-13 | HANDLE - BEZEL | 4 | 4 |
| 78 | 21335-111 | BRACKET - DOOR CATCH | 1 | 1 |
| 80 | 21109-905R | SIDE PANEL | 2 | 2 |
| 82 | 25208-201 | CABINET SHELF | 1 | 1 |
| 83 | 21036-901 | SHELF SUPPORT | 1 | 1 |
| 88 | 21305-925R | PANEL - REAR | 1 | 1 |
| 90 | 21795-935 | BASE | 1 | 1 |
| 100 | 21039-911 | BRACKET – CASTOR SUPPORT | 2 | 2 |
| 101 | 21039-301 | LOWER TANK SUPPORT | 1 | 1 |
| 102 | 10892-23 | CASTOR | 2 | 2 |
| 102A | 10892-285 | CASTOR | 2 | 2 |
| 114 | 23101-614 | SHELF | 1 | 1 |
| 115 | 23100-654 | SHELF - SB | 1 | 1 |
| 123 | Y-12117 | SIDE BURNER LID STOP | 2 | 2 |
| 124 | 23000-271 | SHELF-SIDE BURNER | 1 | 1 |
| 125 | 23000-254 | COVER-SIDE BURNER | 1 | 1 |
| 126 | 10390-R81A | SIDE BURNER | 1 | 1 |
| 128 | 23009-98 | GRID | 1 | 1 |
| 130 | 27905-354E | REAR BURNER | 1 | 1 |
| 131 | 10693-099 | REAR BURNER ORIFICE | 1 | 1 |
| 133 | S15271 | ROTISSERIE HANDLE | 1 | 1 |

PARTS LIST / LISTE DES PIECES

| <u>KEY #</u> | <u>ITEM #</u> | <u>DESCRIPTION</u> | <u>9562-83RU</u> | <u>9962-83RU</u> |
|--------------|---------------|----------------------------|------------------|------------------|
| 134 | S15270 | ROTISSERIE COUNTER BALANCE | 1 | 1 |
| 135 | S15299 | ROTISSERIE WASHER | 1 | 1 |
| 136 | S15263 | ROTISSERIE BUSHING | 1 | 1 |
| 137 | S15256 | ROTISSERIE SPIT ROD | 1 | 1 |
| 138 | S15287 | ROTISSERIE FORK | 1 | 1 |
| 139 | 57039-901 | ROTISSERIE BRACKET | 1 | 1 |
| 140 | S21125 | SCREW # 8 X 1/2 | 4 | 4 |
| 141 | Y-12860 | SCREW | 2 | 2 |
| 144 | Y-12220 | BUSHING | 1 | 1 |
| 145 | S21235 | HINGE PIN | 2 | 2 |
| 146 | S21233 | HITCH PIN CLIP | 2 | 2 |
| 147 | Y-11231 | LID BUMPER | 2 | 2 |
| 148 | 10240-20 | DOOR PIN | 2 | 2 |
| 149 | Y-11551 | DOOR PIN | 2 | 2 |
| 150 | Y-12124 | DOOR PIN CAP | 2 | 2 |
| 151 | Y-12857 | WASHER | 4 | 4 |
| 152 | Y-12222 | MAGNET | 2 | 2 |
| 153 | Y-12223 | SNAP IN MAGNET | 2 | 2 |
| 154 | Y-11560 | SCREW 1/4-20 X 1-1/2 | 8 | 8 |
| 155 | S21124 | SCREW #8 X 1/2 | 14 | 14 |
| 156 | Y-11793 | NUT 1/4-20 | 12 | 12 |
| 157 | Y-12835 | SCREW #6-32 X 1/4 | 4 | 4 |
| 158 | Y-12646 | SCREW - SHOULDER #8 X 1/2 | 2 | 2 |
| 159 | S21136 | SCREW #8-32 X 3/8 | 12 | 12 |
| 160 | Y-29304 | SCREW #10-24 X 3/8 | 6 | 6 |
| 161 | Y-12310 | SCREW 1/4-20 X 3/4 | 4 | 4 |
| 163 | S35094 | SCREW #10-24 X 5/8 | 1 | 1 |
| 169 | S21061 | WING NUT | 2 | 2 |
| 171 | S15242 | ROTISSERIE MOTOR | 1 | 1 |
| 172 | S15508 | ELECTRODE | 1 | 1 |
| 173 | S21362 | SPRING | 1 | 1 |
| 180 | S35095 | BOLT | 2 | 2 |
| 181 | 25030-73 | LIGHT SWITCH WIRE HARNESS | 1 | 1 |
| 181A | 25070-95 | LIGHT SWITCH | 1 | 1 |
| 184 | 25080-80 | BATTERY PACK | 1 | 1 |
| 186 | Y-12865 | SCREW 1/4-20 X 1/2 | 38 | 38 |
| 190 | 25020-84 | LED WIRE HARNESS | 1 | 1 |
| 191 | 25020-82 | LED WIRE HARNESS | 1 | 1 |
| 193 | SP11-25 | LID BUMPER | 2 | 2 |

